

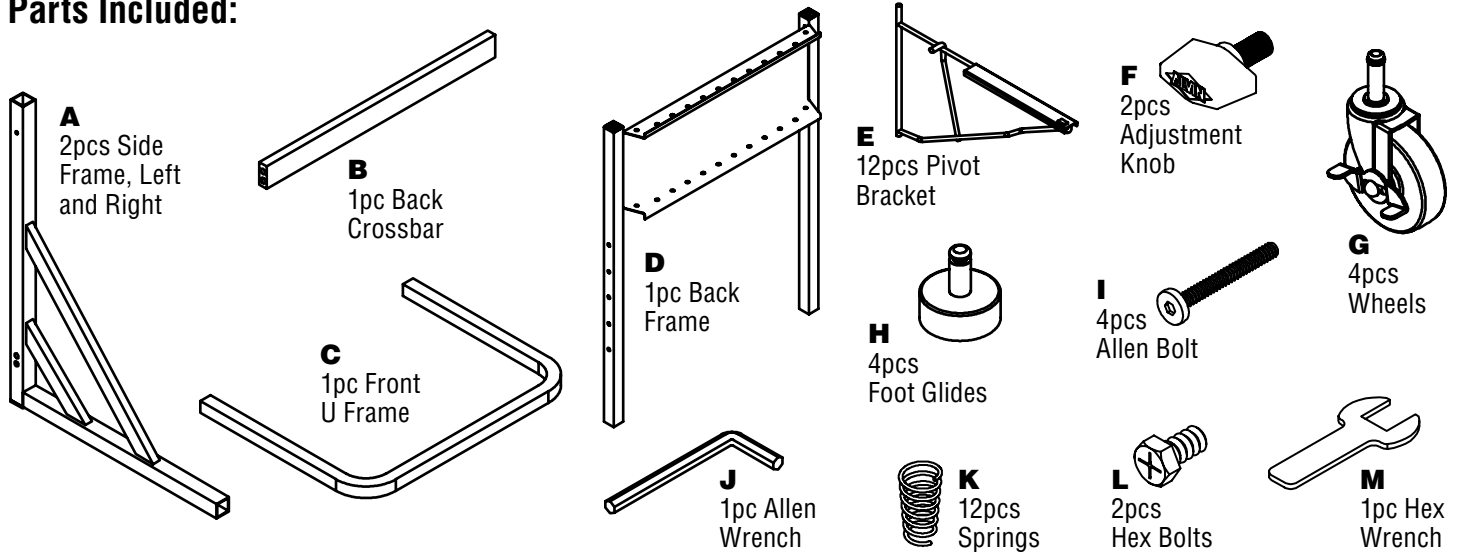


Mobile Pivot Rack

Set-Up & Usage Instructions

For model BPR026

Parts Included:



Assembly Instructions:

1 Identify left and right side frames (**A**) by the single hole at the top of each tube. These holes should face out. Connect side frames together using back crossbar (**B**) and four Allen bolts (**I**) as shown in **Figure 1**. Keep bolts slightly loose for now.

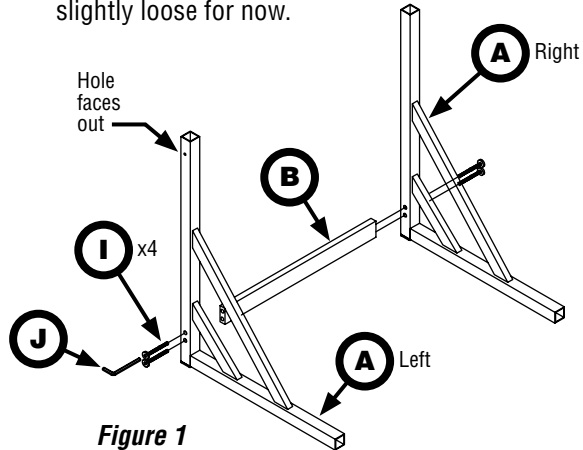


Figure 1

2 With caster holes facing down, slide front U frame (**C**) most of the way into side frame tubes as shown in **Figure 2**. Insert hex bolts (**L**) and tighten gently with wrench (**M**). The final position of the front U frame will be adjusted later.

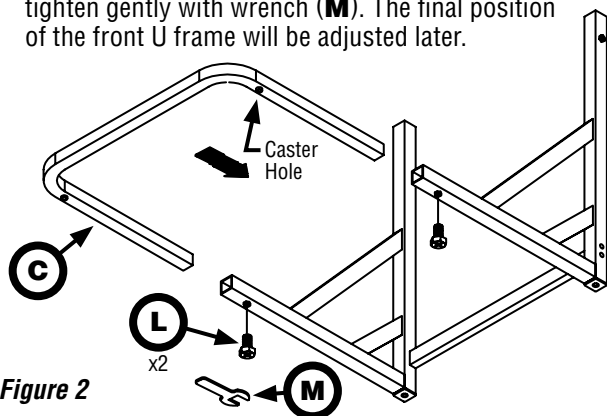


Figure 2

3 Turn entire assembly upside down on a carpet or other scratch-free surface. Insert wheels (**G**) as shown in **Figure 3**. Be sure each wheel is fully seated. If non-mobile application is desired, install footglides (**H**) instead of wheels. Return assembly to upright position.

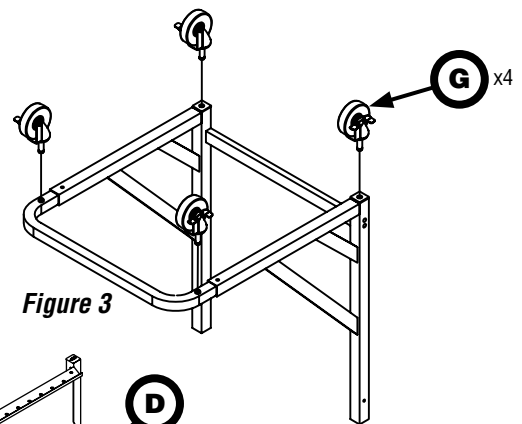


Figure 3

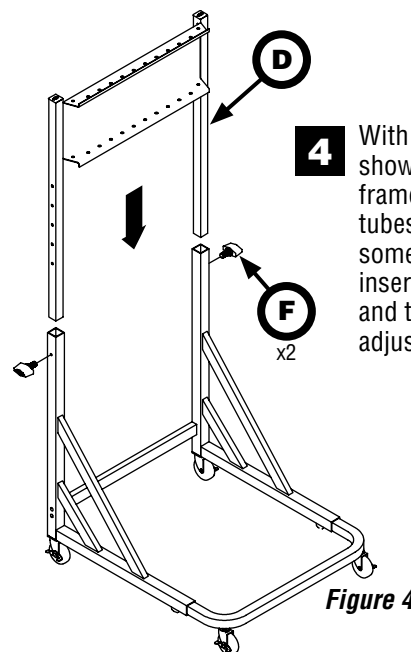
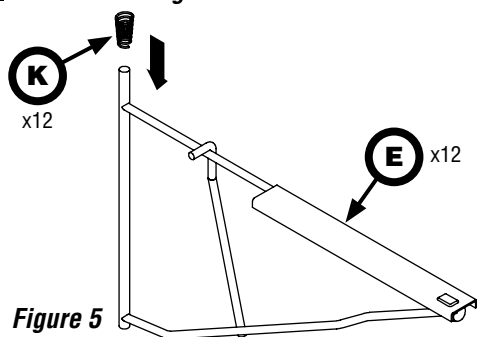


Figure 4

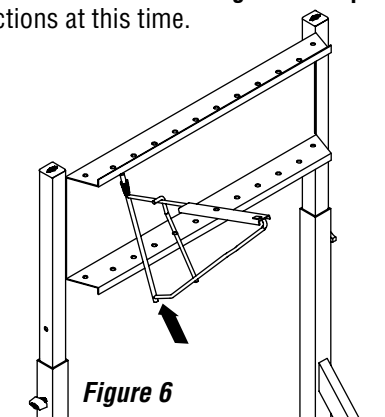
4 With back panel oriented as shown in **Figure 4**, slide back frame (**D**) into side frame tubes. Using a set of holes somewhere in the middle, insert adjustment knobs (**F**) and tighten gently. Final height adjustment will be made later.

- 5** Slide springs (**K**) on end of pivot brackets (**E**) as shown in **Figure 5**.

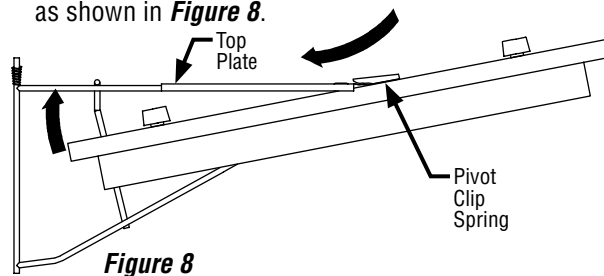


- 6** Starting with the top hole, insert **one** pivot bracket into back panel as shown in **Figure 6**. Once bracket is in top hole, lift up to compress spring enough to allow bracket to fit into bottom hole.

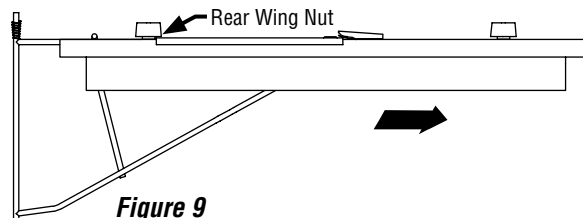
It is best to adjust rack before installing any other brackets. Please follow “**Height and Depth Adjustment**” instructions at this time.



- 2** Continue sliding clamp towards back panel until leading edge of top plate is fully inserted beneath pivot clip spring, as shown in **Figure 8**.



- 3** Push down on front of clamp until it's level with top plate, then pull towards you, as shown in **Figure 9**. Top plate will slide beneath rear wing nut to lock clamp in place.



- 4** To remove clamp from pivot bracket, reverse procedure described above.

Height and Depth Adjustments:

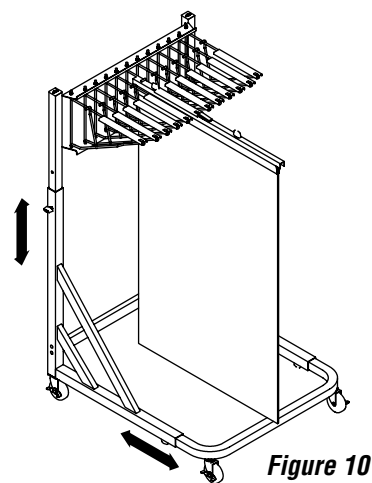
This rack is capable of holding documents from 18" x 24" up to 36" x 48". It must be adjusted to the documents being used.

- 1** Attach clamp to pivot bracket with documents hanging from it, as shown in **Figure 10**.

- 2** Loosen hex bolts holding front U frame and slide until front of frame is positioned beneath front edge of document. Retighten securely.

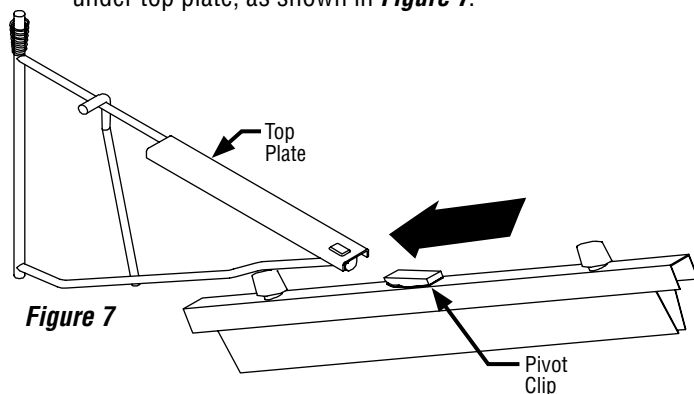
- 3** Five holes are provided for height adjustment. Loosen adjustment knobs and set rack to appropriate height for document length, as shown in **Figure 10**. Retighten adjustment knobs securely.

- 4** Now that height and depth have been set, securely tighten the 4 Allen bolts that hold the back crossbar to the side frames and install remaining pivot brackets.



Attaching Clamps to Pivot Brackets:

- 1** With open end of pivot clip facing rack, hold clamp at approximately a 15° angle and slide under top plate, as shown in **Figure 7**.



Limited Lifetime Warranty

Alvin & Company warrants its Blueprint Racks to be free from defects in workmanship and materials under normal use for the lifetime of the product for as long as the original purchaser owns it. Should service be required by reason of any defect or malfunction, Alvin will repair, provide replacement parts, or at its discretion, replace the product without charge subject to verification of the defect or malfunction. This warranty is valid only if the product is used for the purpose for which it was designed. It does not cover products that have been damaged by negligence, misuse, or accident or which have been modified or repaired by unauthorized persons. Coverage is at Alvin's discretion, subject to verification. Please refer to Alvin's website www.alvinco.com for additional information and details.

