

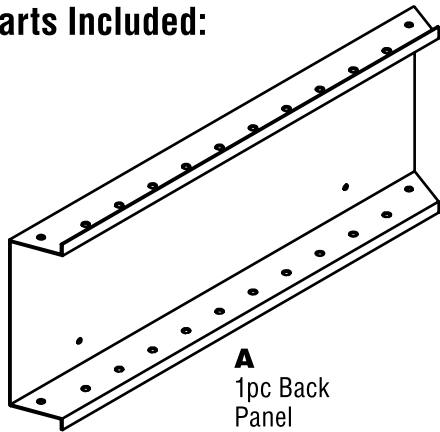


Pivot Wall Rack

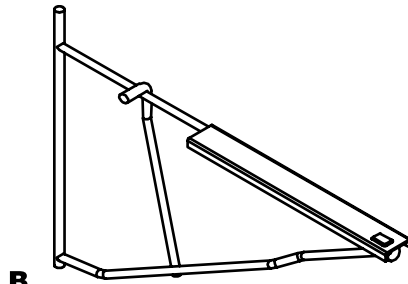
Set-Up & Usage Instructions

For model BPR016

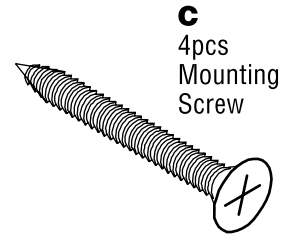
Parts Included:



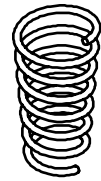
A
1pc Back Panel



B
12pcs Pivot Bracket



C
4pcs Mounting Screw



D
12pcs Spring

Important note: Screws are 1 $\frac{3}{4}$ " (45mm) long and intended for attaching brackets to wood wall studs. If attaching rack to other surfaces, suitable hardware must be purchased separately.

Instructions en français sont disponibles sur l'internet: www.alvinco.com
Instrucciones en español están disponibles en el internet: www.alvinco.com

Important warning:

When properly secured to a wall, this rack is designed to hold 12 hanging blueprint clamps (purchased separately) for a maximum of 240 lbs. The strength of wall material varies greatly and different surfaces require different mounting hardware. The mounting screws supplied with this rack are intended for walls made from wood studs covered in $\frac{1}{2}$ " plaster wallboard. If your wall surface is different, it is your responsibility to use suitable mounting hardware.

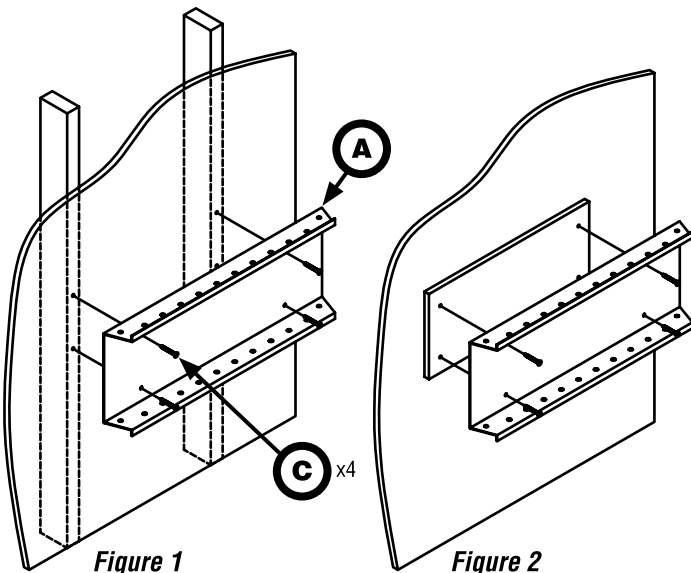
Do not attach this rack to hollow walls using sheetrock anchors.

Mounting Instructions:

- 1** Mount back panel (**A**) parallel to the floor at desired height based on length of the blueprints you plan to hang.

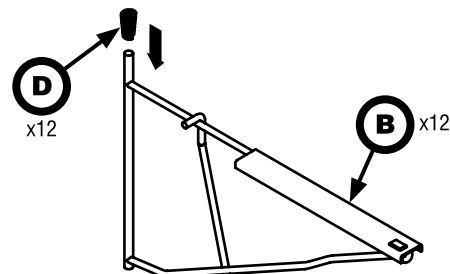
The distance between holes in the back panel (**A**) is 16". If wood wall studs align with the holes as shown in **Figure 1**, screw brackets directly to studs using mounting screws (**C**). Tighten securely.

If wood wall studs *do not align* with the distance between the holes in the back panel, attach a separate wood panel, $\frac{3}{4}$ " thick plywood or equivalent, to the studs and then screw back panel to wood panel, as shown in **Figure 2**. Tighten securely.

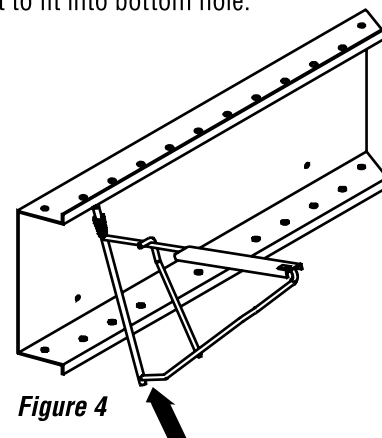


Attach Pivot Brackets to Back Panel:

- 1** Slide springs (**D**) on end of pivot brackets (**B**) as shown in **Figure 3**.

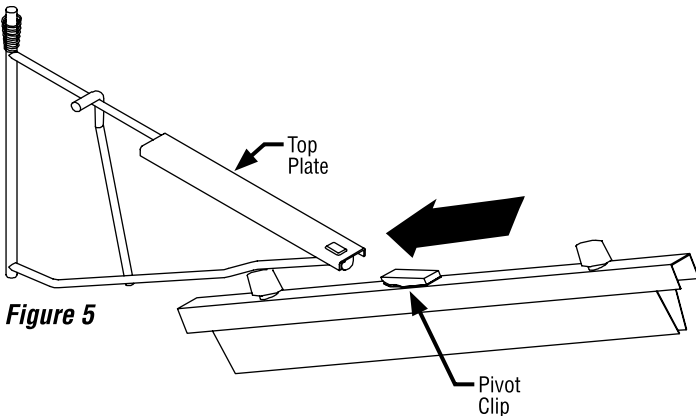


- 2** Starting with the top hole, insert pivot brackets into back panel as shown in **Figure 4**. Once bracket is in top hole, lift up to compress spring enough to allow bracket to fit into bottom hole.



Attach Clamps to Pivot Brackets:

- 1** With open end of pivot clip facing rack, hold clamp at approximately a 15° angle and slide under top plate, as shown in **Figure 5**.



- 2** Continue sliding clamp towards back panel until leading edge of top plate is fully inserted beneath pivot clip spring, as shown in **Figure 6**.

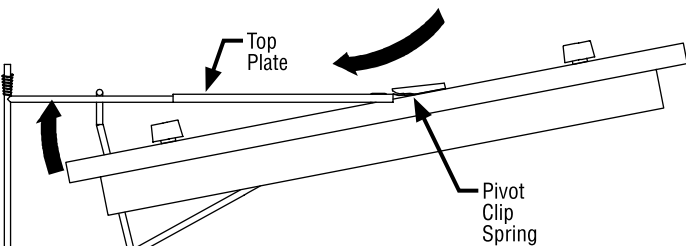


Figure 6

- 3** Push down on front of clamp until it's level with top plate, then pull towards you, as shown in **Figure 7**. Top plate will slide beneath rear wing nut to lock clamp in place.

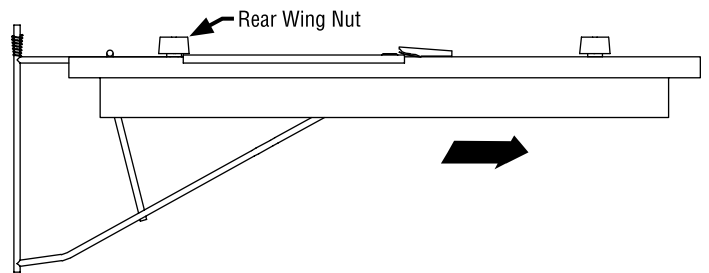
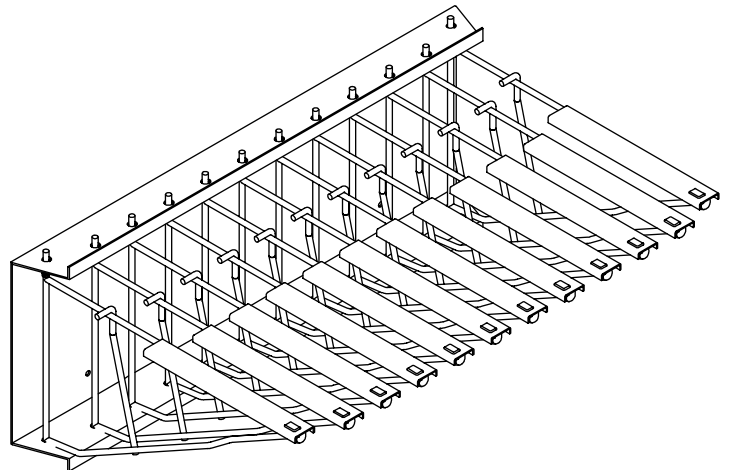


Figure 7

- 4** To remove clamp from pivot bracket, reverse procedure described above.



Limited Lifetime Warranty

Alvin & Company warrants its Blueprint Racks to be free from defects in workmanship and materials under normal use for the lifetime of the product for as long as the original purchaser owns it. Should service be required by reason of any defect or malfunction, Alvin will repair, provide replacement parts, or at its discretion, replace the product without charge subject to verification of the defect or malfunction. This warranty is valid only if the product is used for the purpose for which it was designed. It does not cover products that have been damaged by negligence, misuse, or accident or which have been modified or repaired by unauthorized persons. Coverage is at Alvin's discretion, subject to verification. Please refer to Alvin's website www.alvinco.com for additional information and details.