

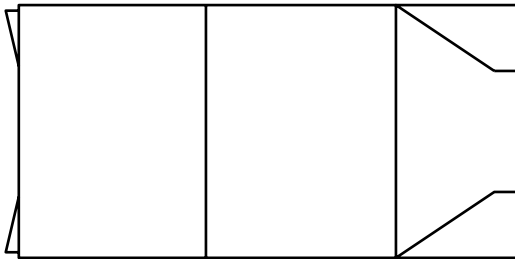


Upright Roll File – 12 Slot

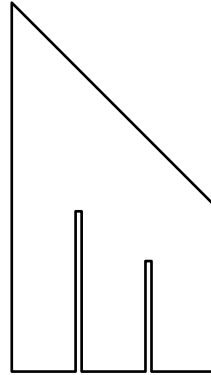
Assembly Instructions

For model ARF12

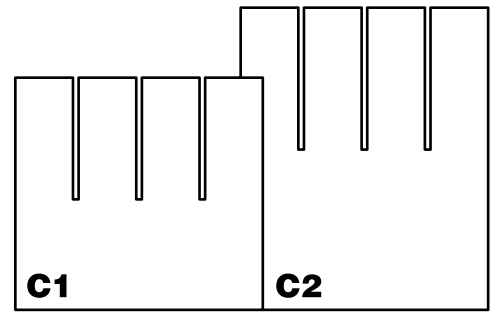
Parts Included:



A 1pc Outer Box



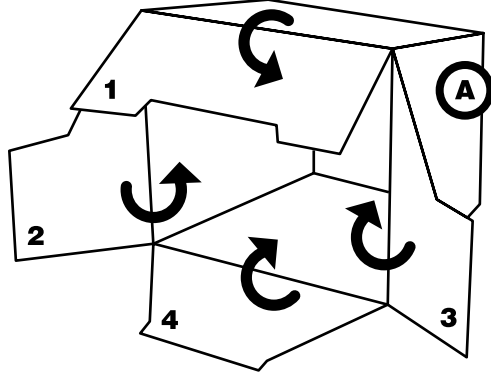
B 2pcs Vertical Dividers



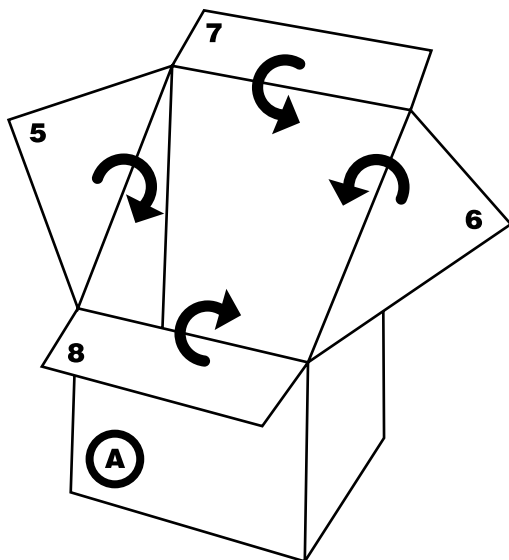
C1 **C2**
1pc each Horizontal Dividers

To Assemble:

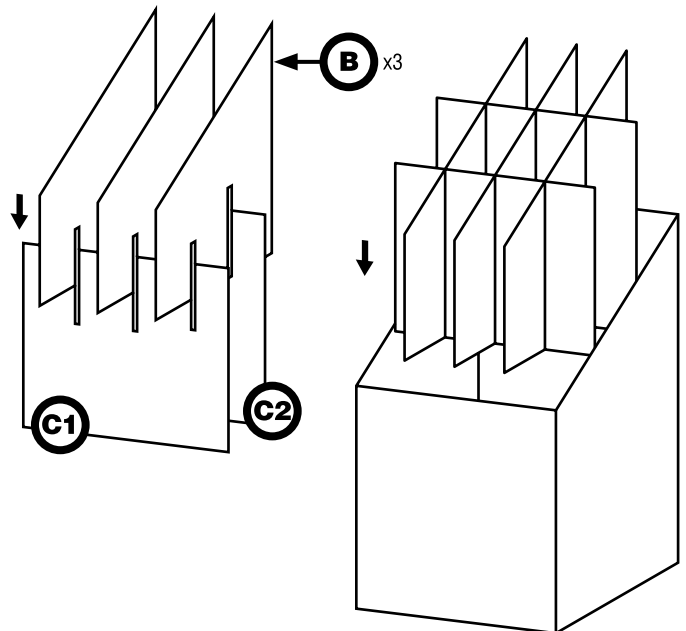
Unfold Outer Box (**A**) and turn upside down. Fold in the flaps in the order shown, then tuck the tab on flap **4** into the notch in flap **1** to secure.



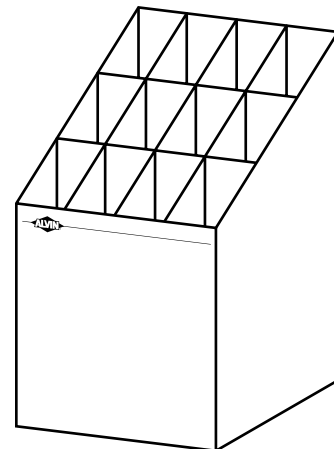
Flip the box right side up, and fold the flaps in the order shown, then tuck the tabs in flap **7** behind the tabs in flaps **5** and **6** to secure.



Slide the slots in the Vertical Dividers (**B**) over the slots in the Horizontal Dividers, and push down as far as they will go. Slide this assembly down into the box.



The Alvin® Upright Roll File is now ready to use!



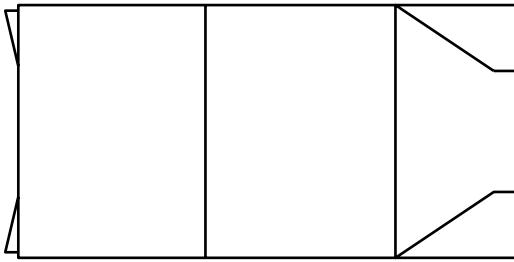


Upright Roll File – 20 Slot

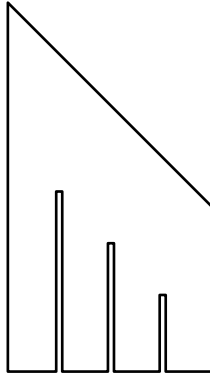
Assembly Instructions

For model ARF20

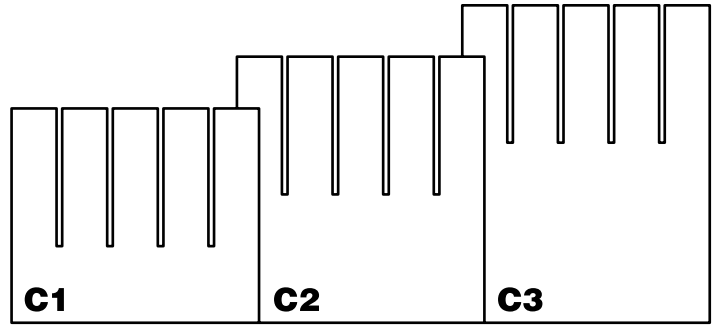
Parts Included:



A 1pc Outer Box



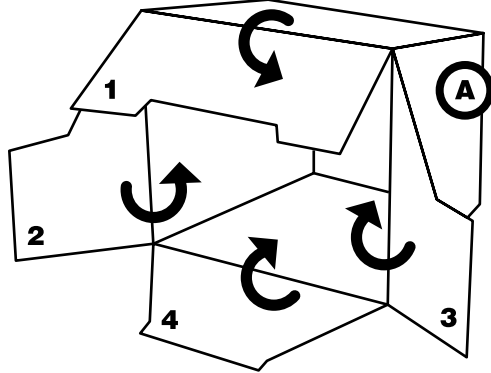
B 3pcs Vertical Divider



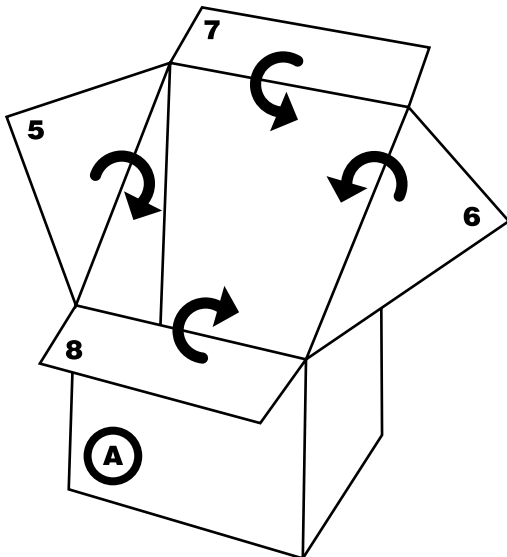
1pc each Horizontal Dividers

To Assemble:

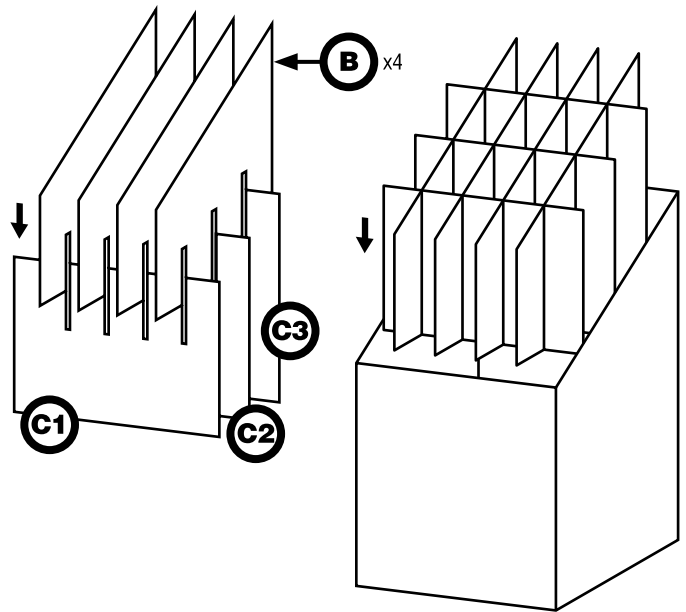
Unfold Outer Box (**A**) and turn upside down. Fold in the flaps in the order shown, then tuck the tab on flap **4** into the notch in flap **1** to secure.



Flip the box right side up, and fold the flaps in the order shown, then tuck the tabs in flap **7** behind the tabs in flaps **5** and **6** to secure.



Slide the slots in the Vertical Dividers (**B**) over the slots in the Horizontal Dividers, and push down as far as they will go. Slide this assembly down into the box.



The Alvin® Upright Roll File is now ready to use!

