

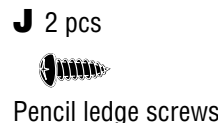
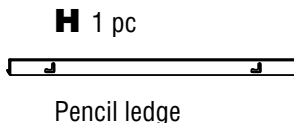
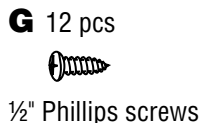
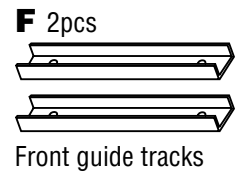
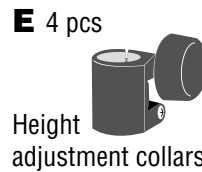
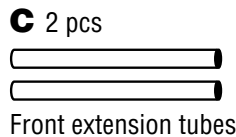
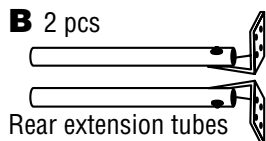
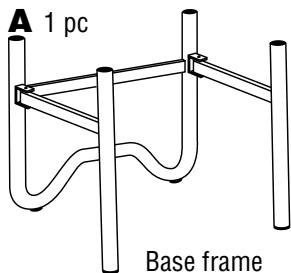


Onyx Drafting & Drawing Table

Assembly Instructions

Tools required: Phillips screwdriver.

Parts Included:



To Assemble: Unpack and inspect contents to confirm you have all the parts listed above.

1 Open base frame (**A**) in the upright position and place one height adjustment collar (**E**) on top of each leg tube as shown in **figure 1**. Position adjustment knobs facing out and lightly tighten lower bolts using a Phillips screwdriver.

Figure 1

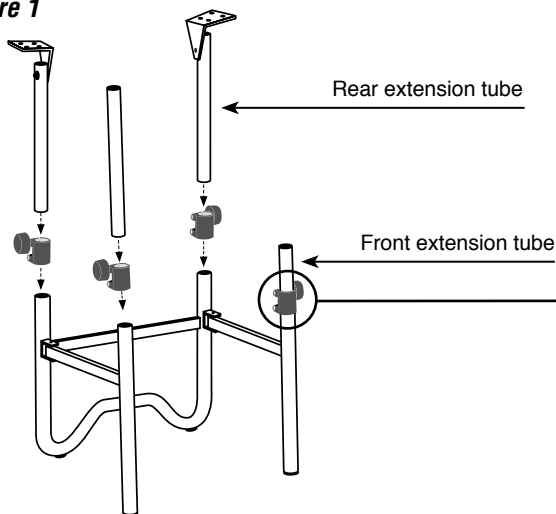
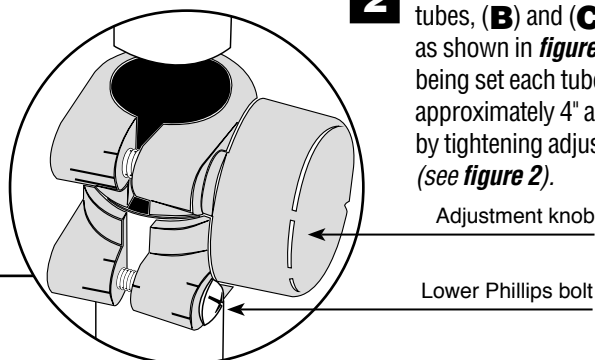


Figure 2



2 Insert front and rear extension tubes, (**B**) and (**C**), into base frame as shown in **figure 1**. For the time being set each tube at a height of approximately 4" and lock into place by tightening adjustment knob. (see **figure 2**).

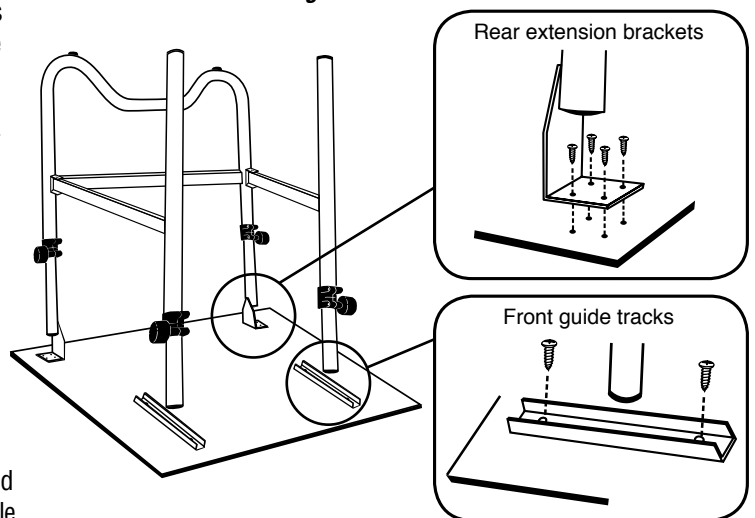
3 Place the tabletop (**K**) on a soft pad or carpet to avoid scratches with the white side facing down. Turn the assembled base frame (**A**) upside down and place on tabletop as shown in **figure 3**. Position the frame so that the pre-drilled holes in the board line up with the holes in the rear extension tube brackets. Attach rear brackets to board using 1/2" Phillips screws (**G**).

Hint Since some screws are hard to reach, try spinning adjustment collar so that adjustment knob is out of your way. Retighten all collar lower leg bolts when finished.

4 Place front guide tracks (**F**) under front leg extensions as shown so that pre-drilled holes in the board line up with holes in guide tracks. Attach using 1/2" Phillips screws (**G**).

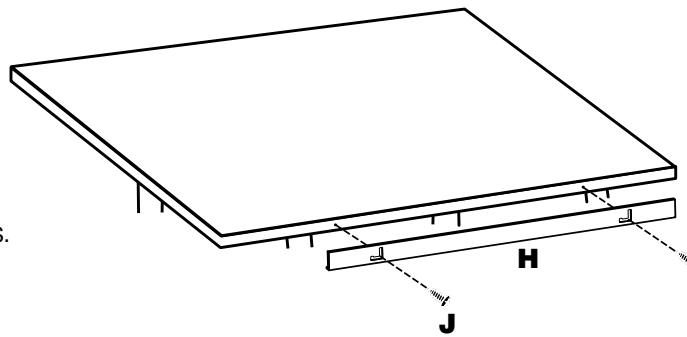
5 Once all screws are secure, return table to its upright position and adjust tube extensions until tabletop is at desired height and angle.

Figure 3

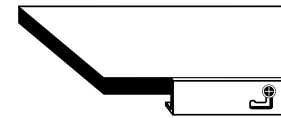


To Attach Pencil Ledge

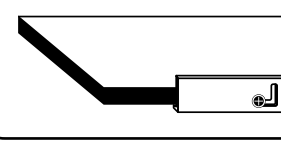
The pencil ledge (**H**) prevents materials from sliding off a tilted surface. Slotted connection allows for easy adjustment from flush to elevated position. Attach pencil ledge to front edge of tabletop using pencil ledge screws (**J**) into pre-drilled holes.



Flush Position

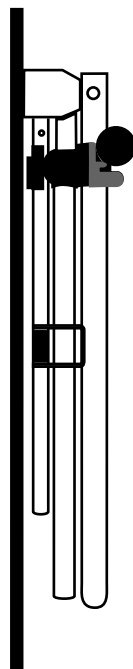


Elevated Position



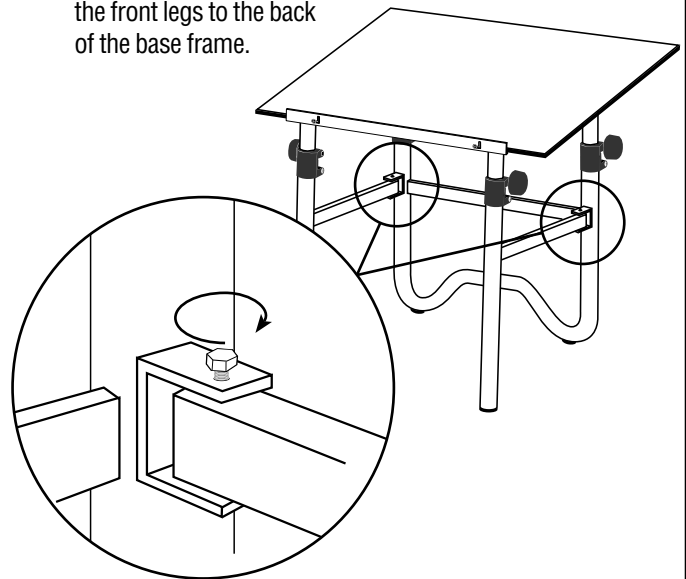
To Fold Table Flat

- 1** Loosen lower screws in front height adjustment collars (**E**) and spin collars until adjustment knobs face inward.
- 2** Lift front edge of tabletop slightly to remove front extension tubes from front guide tracks and swing legs inward. Left leg should be folded first.
- 3** When both front legs are folded into position, allow tabletop to drop downward.



Hint

To maximize the strength and stability of the table, tighten the two hinge bolts that connect the front legs to the back of the base frame.



Useful accessories to go with your new Onyx table! Visit us at www.alvinco.com for more information about these products and more.



Onyx Storage Shelf
ONX-09 or ONX-12



Paral-Liner
Parallel Straightedge
1101-42



Taboret
TAB33 or
TAB33-BK



Side Trays
TT499-1 or TT499-2



Side Trays TT399-2



Combination Lamp
CL1755-D or
CL1755-D