



Deluxe Drawing Board

Operation and Maintenance Instructions

For models
DPX36 and DPX42

Note: Deluxe Drawing Board incorporates an Alvin® 1101 series Parallel Straightedge.

To Adjust and Lock Parallel Straightedge Position (Diagram A)

Be sure all three brake knobs are free and loose.

Grasp one end of straightedge and hold firmly against drawing board.

Gently pivot other end of straightedge up or down until desired parallel position is reached.

Secure wire under thumbscrew brake (B) in upper right corner to maintain parallel positioning.

With straightedge in desired position, gently tighten both left and right thumbscrew brakes (A).

CAUTION Do not overtighten. Overtightening brake screws will damage wires.

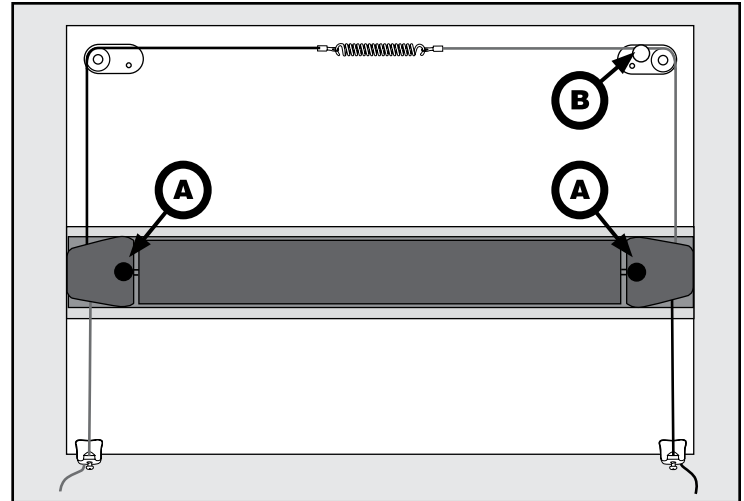


Diagram A

Dual Snap Lock Leg Instructions (Diagram B)

To Position Tilting Legs for Use

Unlock legs by pushing locks toward edges of board.

Extend legs. Do not over extend.

Push locks toward center of board until they snap into position.

Gently test legs are secure.

To transport or store, repeat unlocking and locking actions to tilt legs flat against board.

Note: Transport using handle to avoid damage.

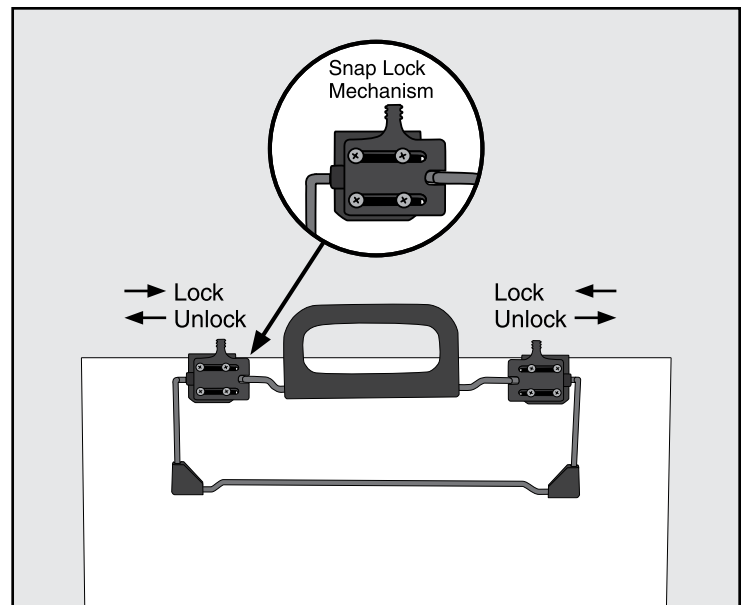


Diagram B

To Maintain Straightedge (Diagram C)

Due to the Laminar construction of this straightedge, it is possible to have the center bowed if the straightedge is subjected to any sizeable force acting in the vertical direction.

To correct, lift ends A or B while holding down the center of the straightedge just enough to offset the bow.

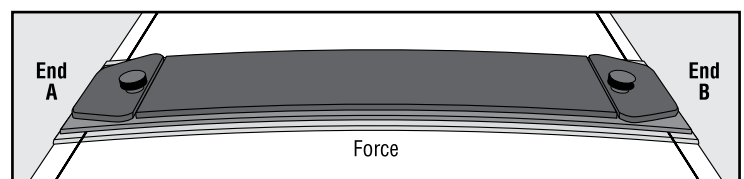


Diagram C

To Rewire (Diagrams D & E)

If your wire ever breaks or needs to be replaced, follow these steps:

Release left and right end caps of the straightedge by removing screws from below. Be sure not to remove screws that keep top and bottom layers of straightedge blade together.

Remove all old wires.

Fold new replacement wire in half and thread folded end through center of straightedge blade. Pull through until wire is equal length on each side of the straightedge blade. Cut wire at fold. There are now two independent wires running through straightedge blade.

Grasp either wire on left side, pass around straightedge blade pulley and brake screw as shown in **Diagram E** and pass it around rear pulley (**D**) in upper left corner of board. Connect to spring at top (**C**). (See **Diagram D**)

Grasp the wire on right side not connected to spring from left side. Trial and error method will be required here. Pass this wire around straightedge blade pulley and brake screw, then pass it around pulley in upper right corner of board. Connect to spring at top.

Pass lower left and lower right wires around straightedge blade pulleys and brake screws as shown in wiring **Diagram E**.

To confirm wires have been strung correctly, hold straightedge in place with one hand and pull gently on lower left wire with other hand. The spring at top should move to the right. Repeat by pulling the lower right wire and the spring should move to the left.

Replace straightedge end caps and secure with screws from below. Be sure that wires remain properly threaded around pulleys and brake screws and pass properly through exit slots in end caps. Do not over tighten or strip screws.

Follow steps 8 through 10 of assembly instructions to finish installation.

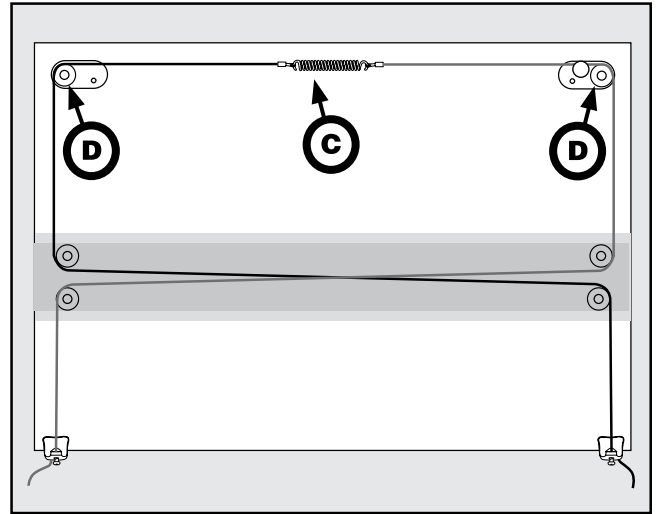


Diagram D

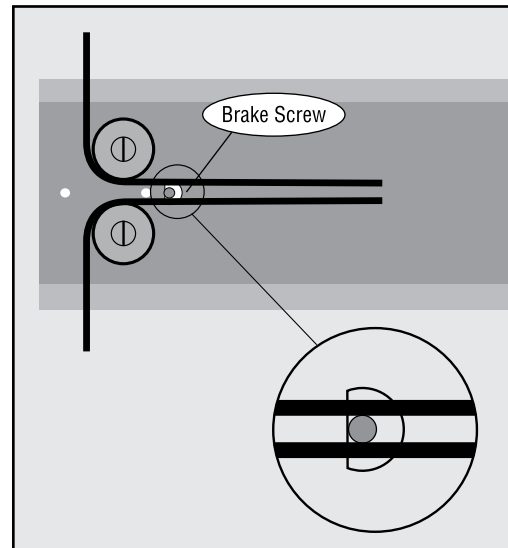


Diagram E

Replacement Parts

#HD4 – Straightedge Hardware Kit

Contains:

- 2 Front Wire Connectors
- 2 Rear Pulley Assemblies
- 8 Screws (6 x 3/4" and 2 x 5/8")

Wire not included and must be ordered separately.



#PEP-2 – Straightedge Rewiring Kit

Contains:

- 1 Spring
- 2 Eyelets
- 2 Front Wire Connectors
- 30 Feet of Wire (for straightedges 30" to 72" in length)



#KN4 – Replacement Brake Knobs

for models made after 2009

Contains:

- 2 EP3 Straightedge Brake Knobs
- 1 Wire Brake Knob
- 2 New Style T-Shaped Brakes
- 1 Clinch Stud



#EP3 – Replacement Straightedge End Caps

for models made after 2010

Contains:

- 2 New End Caps
- 4 Screws

