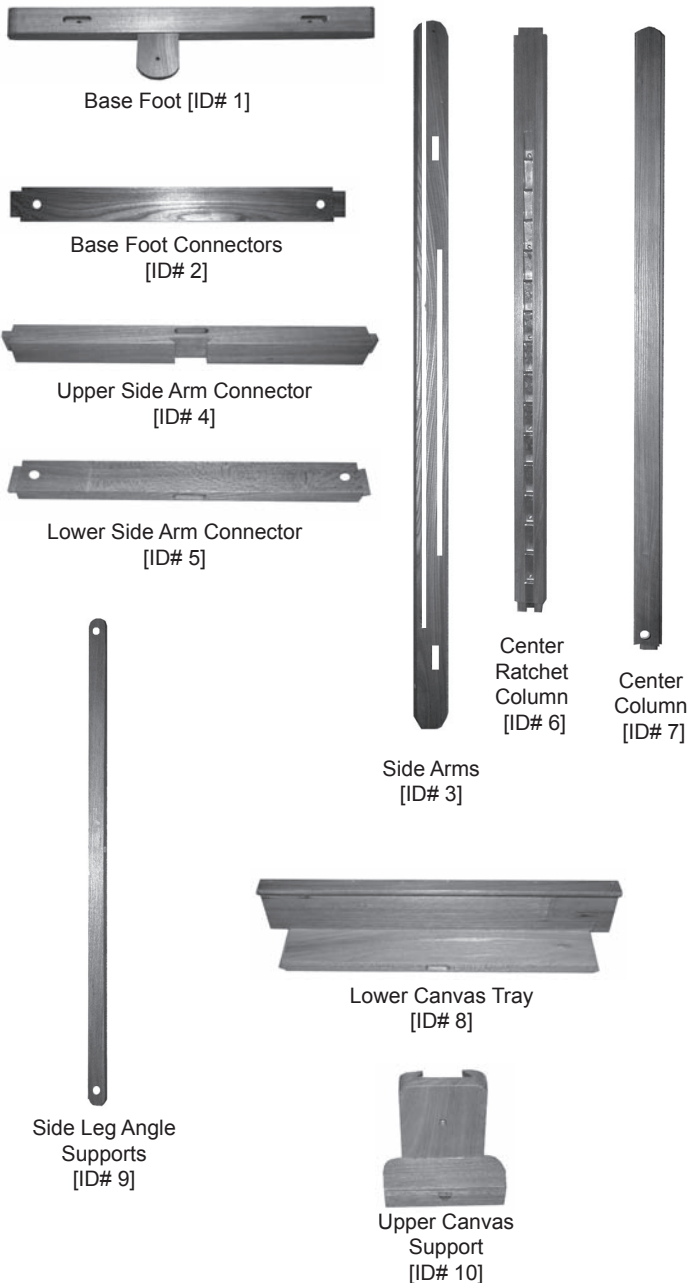


# 92-2100 • MURANO Professional Studio Easel ASSEMBLY INSTRUCTIONS

## MAKE SURE CARTON CONTAINS THE FOLLOWING PARTS

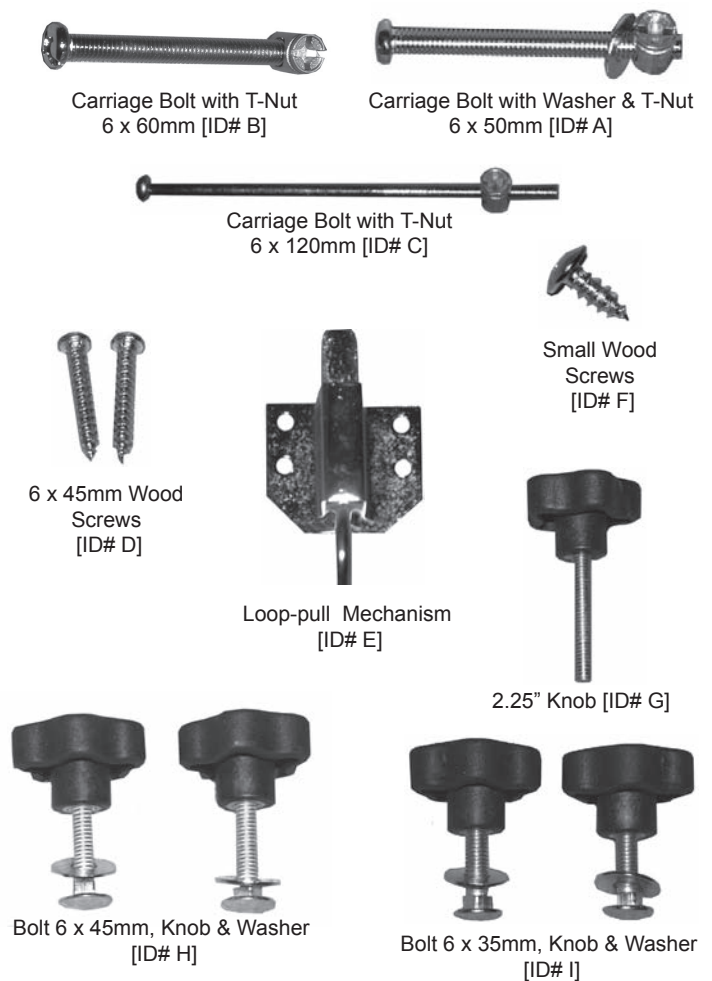
### WOOD PARTS

Quantity	Description	ID#
2 ea.	Base Foot	[1]
2 ea.	Base Foot Connectors	[2]
2 ea.	Side Arms (1 Left & 1 Right)	[3]
1 ea.	Upper Side Arm Connector	[4]
1 ea.	Lower Side Arm Connector	[5]
1 ea.	Center Ratchet Column	[6]
1 ea.	Center Column	[7]
1 ea.	Lower Canvas Tray	[8]
2 ea.	Side Leg Angle Supports	[9]
1 ea.	Upper Canvas Support	[10]



### HARDWARE PARTS

Quantity	Description	ID#
4 ea.	6 x 60mm Carriage Bolts and T-nuts	[A]
4 ea.	6 x 50mm Carriage Bolts/Wash & T-nut	[B]
1 ea.	6 x 120mm Carriage Bolt and T-nut	[C]
2 ea.	6 x 45mm Wood Screws	[D]
1 ea.	Loop-Pull Mechanism	[E]
4 ea.	Small Wood Screws (with Loop-pull)	[F]
1 ea.	2.25" Knob - male	[G]
2 ea.	Bolt 6x45mm, Knob & Washer	[H]
2 ea.	Bolt 6x35mm, Knob & Washer	[I]



### TOOLS INCLUDED

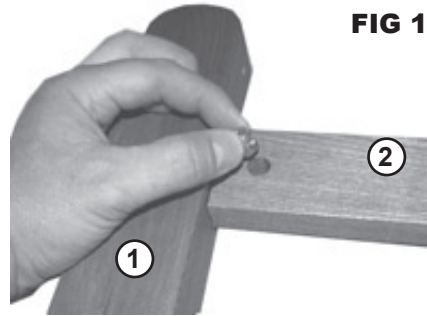
Quantity	Description	ID#
1 ea.	Flat Screwdriver	[X]
1 ea.	Phillips Screwdriver	[Y]



**For recommended assembly lay all wood parts on flat surface with all holes facing up.**

**STEP 1. Assembling Base.**

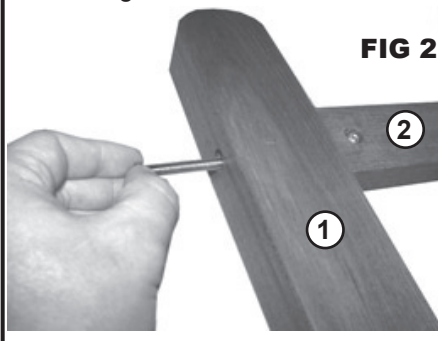
Take each Base Foot [ID#1] (make sure wood hinges are on top.) along with each Base Foot Connectors - **Make sure holes are on bottom of base.** [ID#2]. Insert T-Nut from Carriage Bolt [ID#A] into hole in Base Foot Connector. See FIG 1. Repeat on all 4 sides.



**FIG 1**

**STEP 2. Assembling Base.**

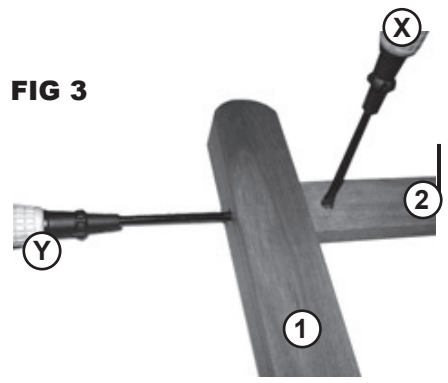
After inserting T-Nuts, continue by inserting Carriage Bolt (6x60mm) into the sides of the Base Foot [ID#1] making sure bolt screws into T-nut by aligning T-nut opening with bolt. Repeat for each of the remaining 3 sides. See FIG 2.



**FIG 2**

**STEP 3. Assembling Base.**

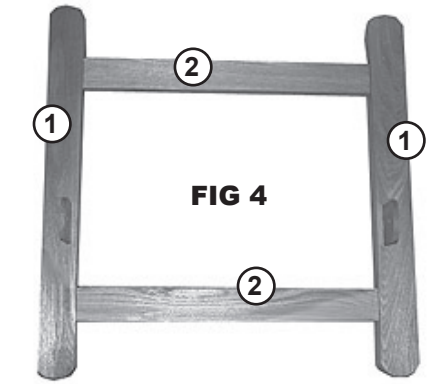
Secure each Carriage bolt by attaching bolt with Philips Screwdriver [ID#Y]. Use the Flat Screwdriver [X] to hold the T-Nut in place. See FIG 3.



**FIG 3**

**STEP 4. Assembled Base.**

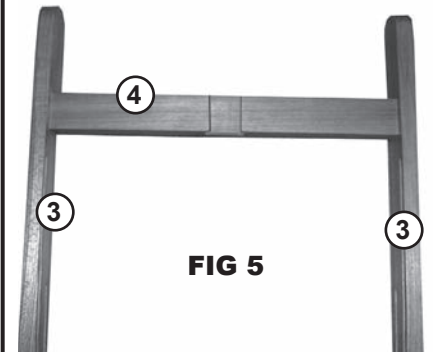
The Base assembly should look like FIG 4. **NOTE: Holes where T-Nuts should be located on bottom of assembled base, if properly assembled.**



**FIG 4**

**STEP 5. Assembling Side Arms.**

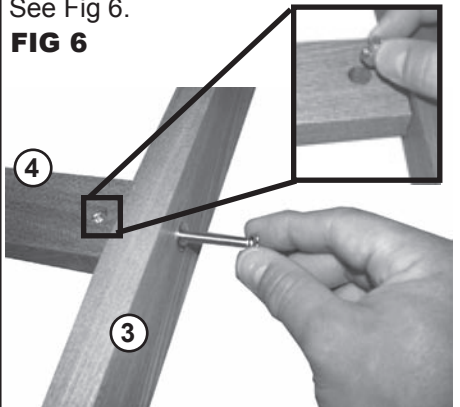
Start by taking the two side arms [ID#3] and the upper side arm connector [ID#4]. Position as shown in FIG 5. Please note: The ends of the side arms that have slots are the bottom ends.



**FIG 5**

**STEP 6. Assembling Side Arms.**

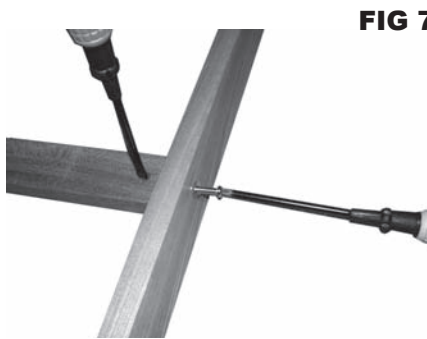
Insert T-nut into upper arm connector. Continue by inserting carriage bolt 6x50mm into hole on side of Side arm and into T-nut. See Fig 6.



**FIG 6**

**STEP 7. Assembling Side Arms.**

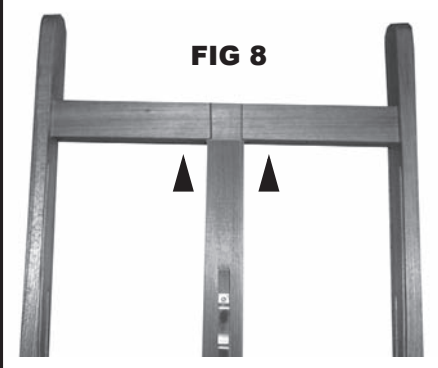
Secure Carriage bolt by attaching bolt with Philips Screwdriver [ID#Y]. Use the Flat Screwdriver [X] to hold the T-Nut in place. Repeat with other side. See FIG 7 & FIG 5 for final result of this step.



**FIG 7**

**STEP 8. Ratchet Center Column**

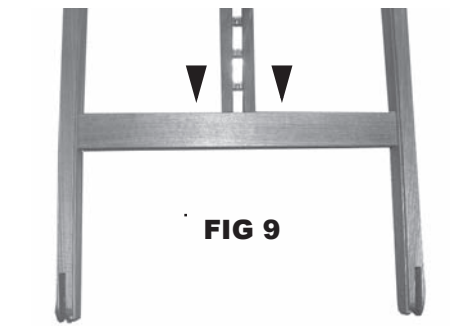
Insert Ratchet Center Column up into slotted section of upper side arm connector. Make sure ratchet center column is positioned as shown in FIG 8.



**FIG 8**

**STEP 9. Lower Side Arm Connector**

Insert Ratchet Center Column down into the oval hole on the end of the lower side arm connector. Make sure ratchet center column is positioned as shown in FIG 9. T-nut Holes in connector should be on backside.

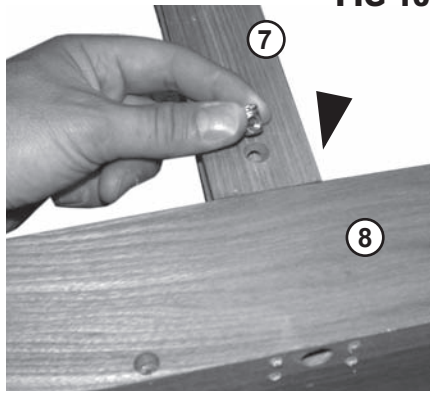


**FIG 9**

**STEP 10. Center column to Lower Canvas Tray**

Insert Center Column [ID#7] into oval slot on top edge of Lower Canvas Tray [ID#8]. Insert T-nut from part [ID#C]. See FIG 10.

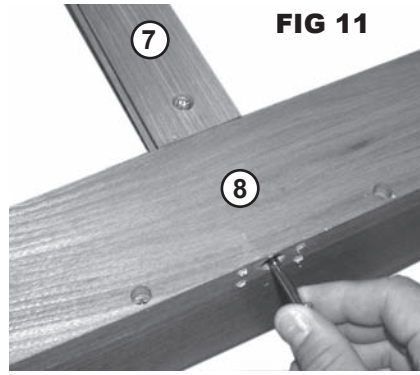
**FIG 10**



**STEP 11. Center column to Lower Canvas Tray continued**

Insert Carriage bolt [ID#C] into hole in bottom end of Lower Canvas Tray [ID#8]. Using phillips screwdriver [ID# Y] tighten and secure bolt into T-nut. See FIG 11.

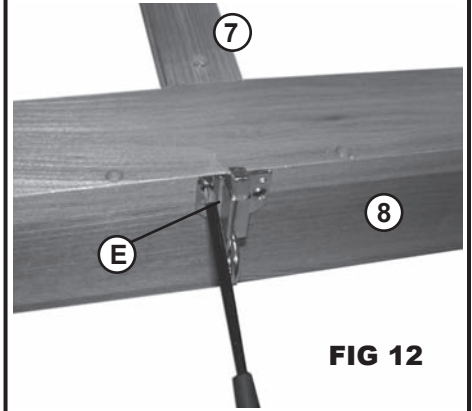
**FIG 11**



**STEP 12. Attaching Loop-pull to Lower Canvas Tray**

Attach Loop-pull mechanism [ID#E] to bottom end of Lower Canvas Tray using [4] small wood screws [ID#F]. See FIG 12.

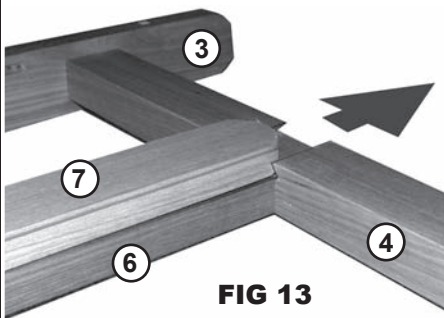
**FIG 12**



**STEP 13. Attaching Center Column to Side Arm Frame Assembly.**

With Side Arm Frame Assembly laying face up on carpeted surface, slide Center column's angled edge up through Upper side arm connector [ID#4]. See FIG 13.

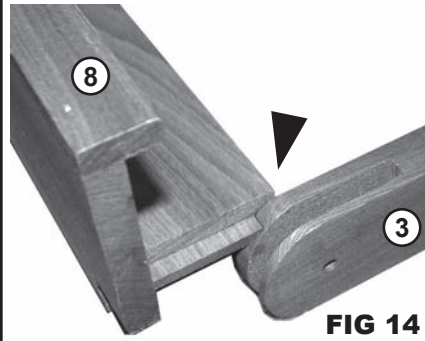
**FIG 13**



**STEP 14. Attaching Center Column to Side Arm Frame Assembly, continued...**

When attaching Center column to Side Arm Frame Assembly line up grooves in Lower Canvas tray to channels in Side Arms. See FIG 14.

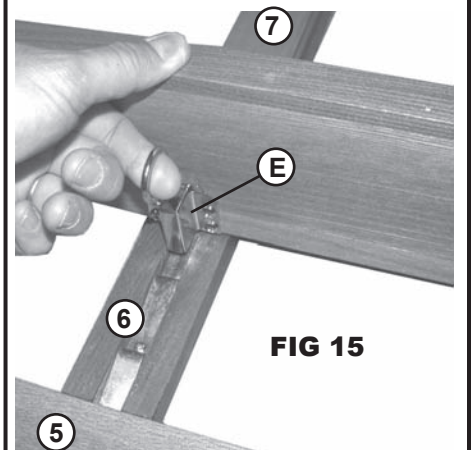
**FIG 14**



**STEP 15. Loop-pull Adjustment**

To allow Center column to move freely, you must pull up on loop-pull mechanism [ID#E]. See FIG 15.

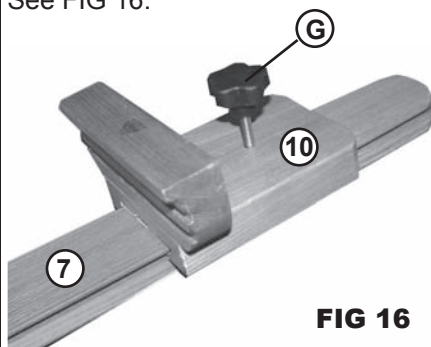
**FIG 15**



**STEP 16. Upper Canvas Support**

Attach Upper Canvas Support, by sliding it down over the Center Column. Secure with Knob [ID#G]. NOTE: Loosen Knob to move Upper Canvas Support to desired position once Easel is assembled. See FIG 16.

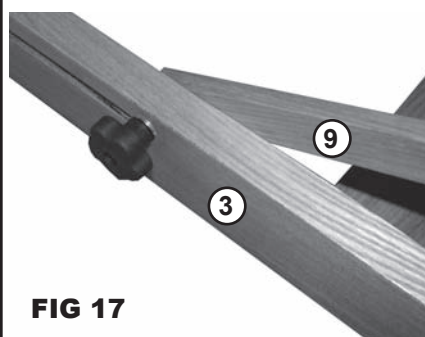
**FIG 16**



**STEP 17. Side Leg Angle Supports**

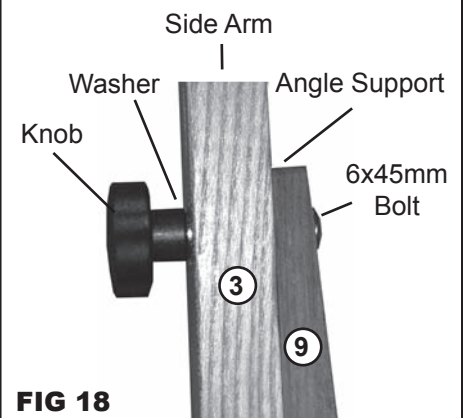
Attach Side Leg Angle Supports [ID#9] to Side Arms using the [2] Knobs [ID#H], washer and bolt. NOTE: make sure angle support is attached to inside of Side Arm. See FIG 17.

**FIG 17**



**STEP 18. Side Leg Angle Supports. Continued...**

See FIG 18 for the correct order of attachment.

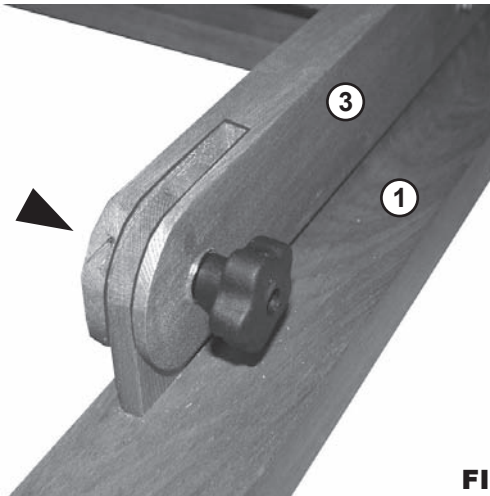


**FIG 18**

**STEP 19.**  
**Side Arm Frame Assembly to Base Attachment**

With Base laying face-up on carpeted floor, line up notched grooves on bottom ends of the Side Arm Frame Assembly with wooden supports on base. Secure with Knob, washer and 6x35mm bolt [ID#I]. Insert bolt through inside side of side arm through base foot, then back through other side of side arm. Attach washer and then secure with knob. Repeat with other side. See FIG 19.

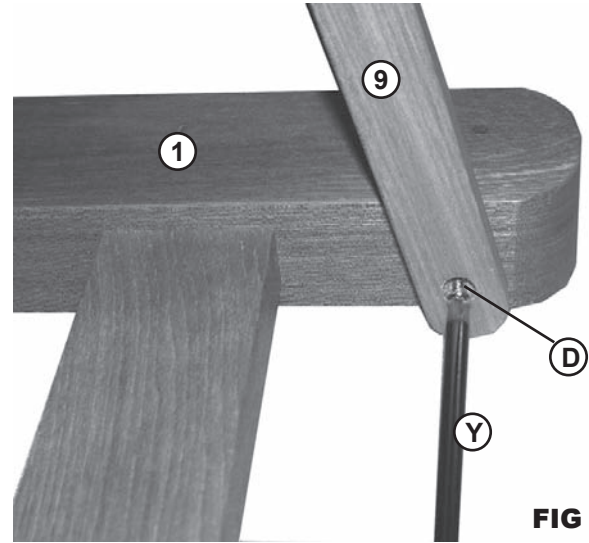
**NOTE: This knob can be loosened when angle of easel needs to be adjusted. Re-tighten when desired angle is achieved.**



**FIG 19**

**STEP 20.**  
**Side Leg Angle Support to base assembly**

Attach side leg angle support [ID#9] to base using one 6x45mm wood screw [ID#D]. Repeat with other side. Tighten with phillips screwdriver [ID#Y]. See FIG 20.



**FIG 20**

**Angle Adjustment:**

Loosen knobs on side leg angle supports and tighten at desired angle.

**Height Adjustment of Center Column:**

Unlock loop-pull on lower canvas support, adjust to desired height and release loop-pull.

**Enjoy your Easel!**

**If you have any problems with assembling this easel, please call (313)895-0700 or e-mail us at [Custservmud@aol.com](mailto:Custservmud@aol.com).**

**Thank You.**

Easel should look like photo to right after correct assembly.



**92-2100**  
**Murano**  
**Professional**  
**Studio Easel**



Since 1853

Martin/F. Weber Co. • 4444 Lawton Avenue, Detroit, MI 48208 USA  
Tel:(313)895-0700 • Fax:(313)895-0709 • E-mail:Custservmud@aol.com  
www.MartinUniversalDesign.com • www.weberart.com  
Made in China  
Created June 06 RPI