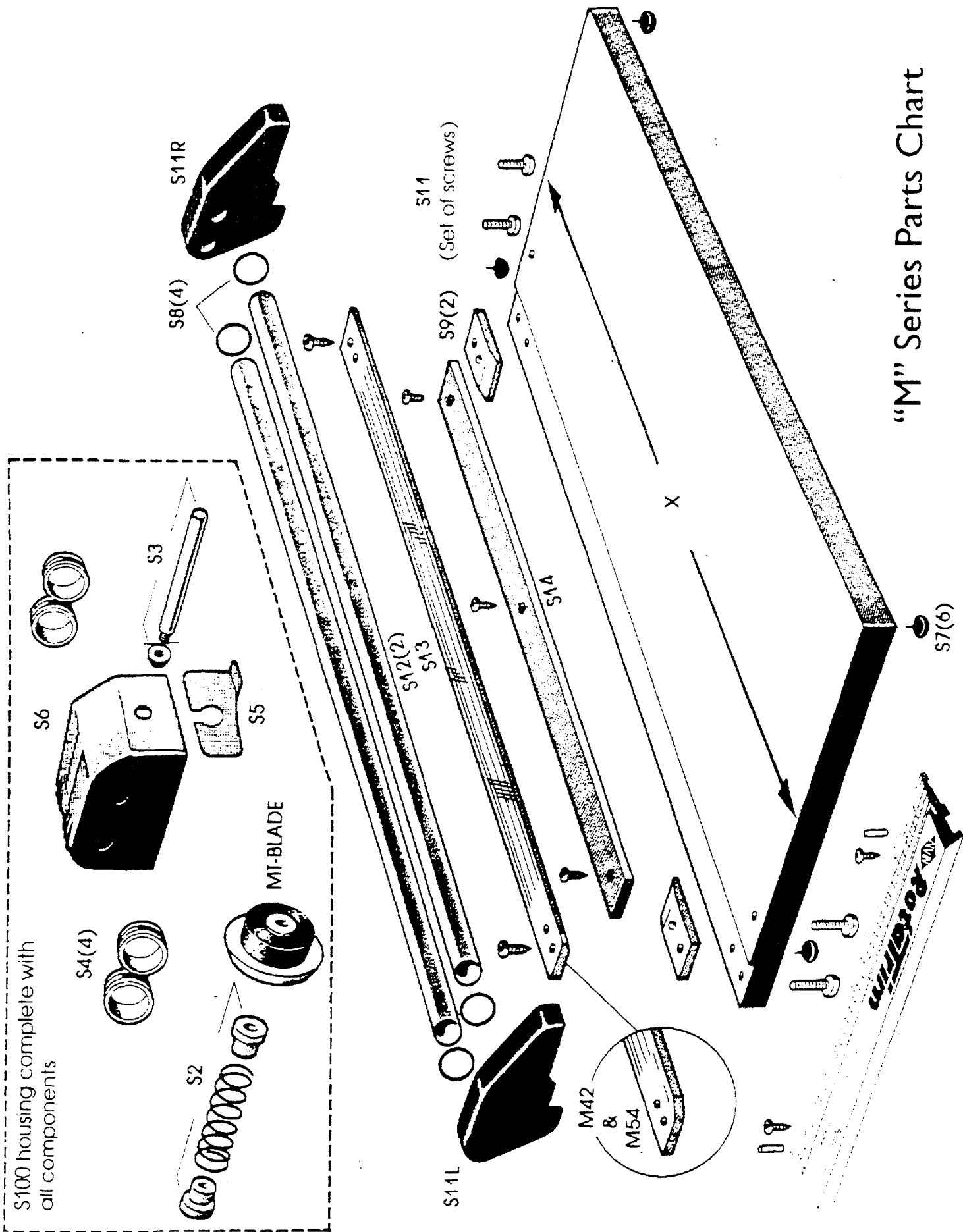


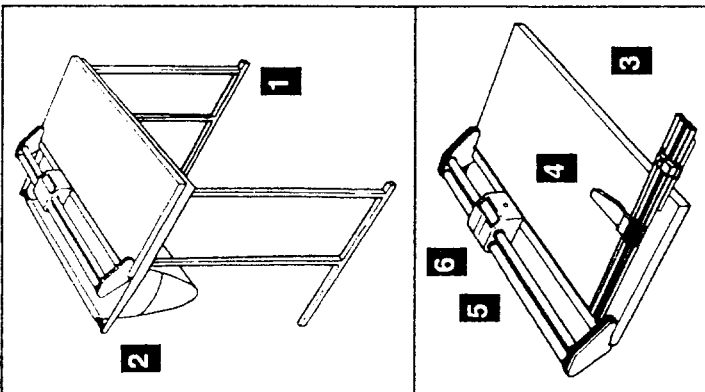
S100 housing complete with all components



"M" Series Parts Chart

## 'M' Series Parts & Accessories

- Floor Stand** made from enameled tubular steel. Designed to put trimmers at the ideal working height of 33".  
(Not available for M12T through M24T.)
- Waste Catcher** for collecting cut-offs features metal frame and PVC catcher.  
*Note: must be attached to floor stand.*
- Aluminum rule extensions replace standard rule. Calibrated inch and metric, **MX24** for 24" and **MX36** for 36".
- Adjustable cursor, **M162**, attaches to aluminum rules.
- MT-Blade** replacement rotary blade for all "M" series trimmers.
- S100** complete replacement cutting head for all "M" series trimmers.



## 'M' SERIES ACCESSORY CHART

TRIMMER	FLOOR STAND	SHIPPING WEIGHT	WASTE CATCHER	SHIPPING WEIGHT	REPLACEMENT CLAMP STRIP
M12T					S13-12
M15T					S13-15
M17T					S13-17
M24T					S13-24
M30T	MS30	18 lbs.	MC30	11 lbs.	S13-30
M36T	MS36	19 lbs.	MC36	12 lbs.	S13-36
M42T	MS42	20 lbs.	MC42	13 lbs.	S13-42
M54T	MS54	24 lbs.	MC54	14 lbs.	S13-54

**MT-Blade** – Replacement rotary blade for all trimmers listed above.

## **“M” Series Parts - Essential Replacement parts are listed below.**

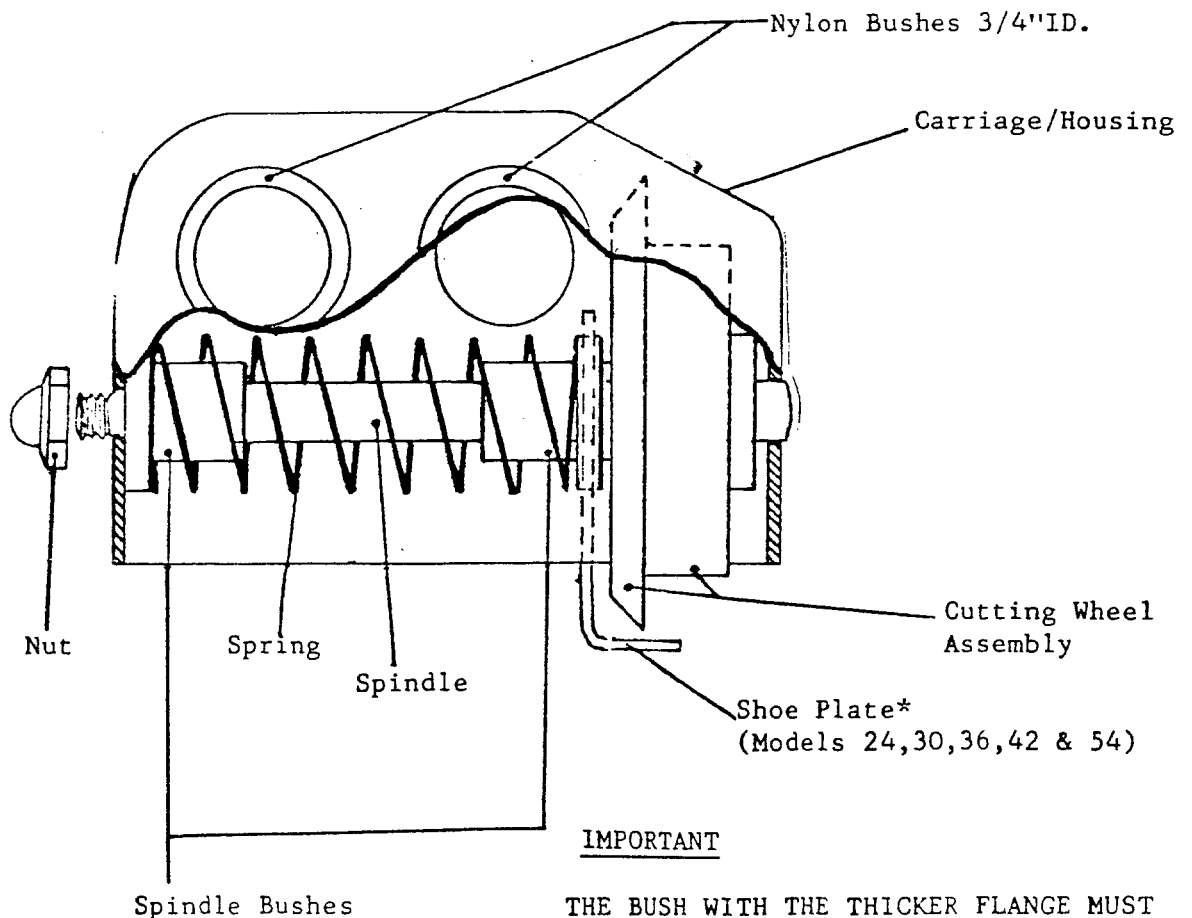
For more detailed information, please request Replacement Parts Diagram.

<b>No.</b>	<b>Description</b>	<b>No.</b>	<b>Description</b>
<b>MT-BLADE</b>	Cutting wheel & spring	<b>S13-12</b>	M12T clamping strip
<b>S2</b>	Spring & 2 bushings	<b>S13-15</b>	M15T clamping strip
<b>S3</b>	Spindle & nut	<b>S13-17</b>	M17T clamping strip
<b>S4</b>	4 housing bushings	<b>S13-24</b>	M24T clamping strip
<b>S5</b>	Overload plate	<b>S13-30</b>	M30T clamping strip
<b>S6</b>	Housing with bushings	<b>S13-36</b>	M36T clamping strip
<b>S7</b>	6 rubber feet	<b>S13-42</b>	M42T clamping strip
<b>S8</b>	4 “O” rings	<b>S13-54</b>	M54T clamping strip
<b>S9</b>	2 end stops	<b>X15-12</b>	M12T baseboard
<b>S11</b>	End castings (pair)	<b>X15-15</b>	M15T baseboard
<b>S100</b>	Complete cutting head	<b>X15-17</b>	M17T baseboard
		<b>X15-24</b>	M24T baseboard
		<b>X15-30</b>	M30T baseboard
		<b>X15-36</b>	M36T baseboard
		<b>X15-42</b>	M42T baseboard
		<b>X15-54</b>	M54T baseboard

## CUTTING WHEEL REPLACEMENT INSTRUCTIONS

1. Invert the RotaTrim on a bench.
2. Remove the shoe plate\* (fitted to models M24, M30, M36, M42, & M54) by pulling back the nylon bush against the cutting wheel, compressing the spring. Lift out the shoe plate. Note the position and "float" of the shoe plate before removal to ensure easy refitment.
3. Remove the spindle retaining nut and push the spindle back through the housing with a screwdriver.
4. Remove the spring, bushes and wheel.
5. Replace spindle into the housing approx.  $\frac{1}{2}$ " and refit new wheel onto spindle.
6. Push the spindle through the wheel assembly, to protrude approx.  $\frac{1}{2}$ " and refit nylon bushes and spring. Note : the bush with the thicker flange is placed against the cutting wheel.
7. Push the thread of the spindle through the  $\frac{1}{2}$ " dia. hole in the housing. Fit and tighten the nut.

## ROTATRIM HOUSING ASSEMBLY



FAULT	CAUSE	REMEDY
(1) Carriage squeaks when moved.	Tubes dirty.	Clean twin guide tubes with furniture polish containing silicone or lubricate with a thin film of vaseline.
	Spindle dry or corroded	If noise persists apply a few drops of light machine oil to the wheel spindle in the cutting head.
(2) Carriage stiff to move.	Tubes bent.	Grip each tube in turn and rotate through 90 degrees. If carriage is free then tubes are bent.
	Wheel spindle dry.	Apply a few drops of light machine oil to the wheel spindle.
	Overload plate bent.	Remove plate by pulling wheel spring away from wheel and allowing plate to fall out. If carriage is free then replace plate.
	Base board bowed	Check that all feet are fitted to underside of base. Place cutter on flat table and look beneath to see if all feet are touching the table. Replace any missing feet. Replace baseboard if bowed.
(3) Cutting wheel riding up onto clampstrip	Machine over loaded	Release the securing screws from the casting at one end of the machine. Relocate wheel in correct position & replace screws. Check that overload plate is fitted for heavy duty cutting. If a clicking sound is produced as head is moved then replace cutting wheel, check that all feet are fitted to underside of base.
(4) Plastic clampstrip loose	Securing screw over tightened	If the screws that secure the clampstrip will not tighten then remove the screw & push a piece of matchstick into the hole before replacing the screw.
(5) Nut missing from wheel spindle at rear of carriage		Replace nut. If nut persistently works loose then check to see if the hole in the carriage for the spindle is elongated if so replace carriage casting.