

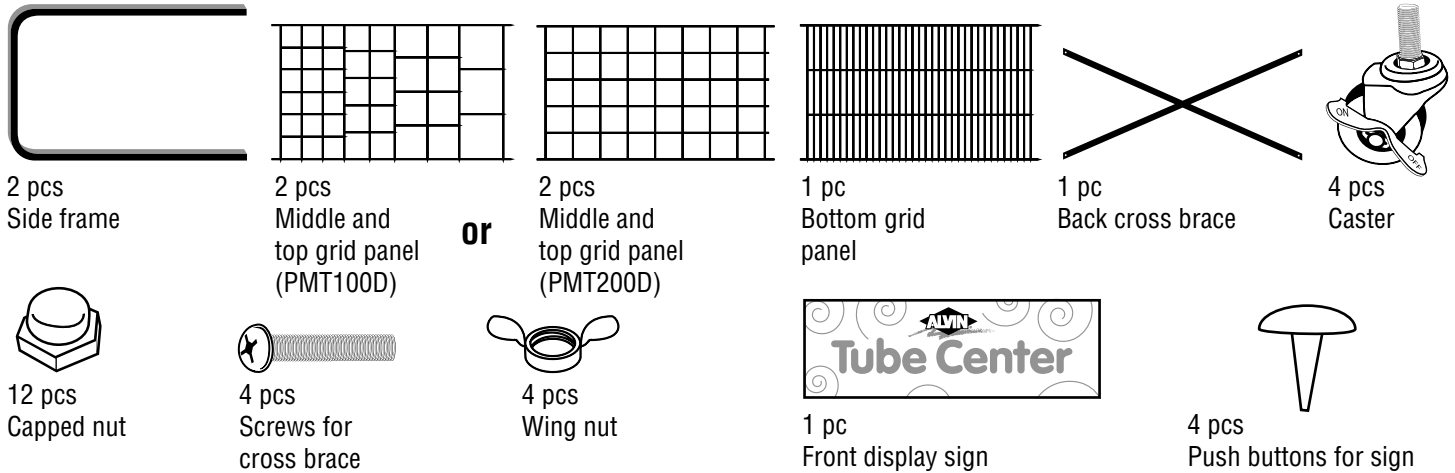


# Tube Center Display PMT100D – PMT200D

## Assembly Instructions

**Tools required:** Phillips screwdriver, pliers or wrench, and double-sided tape.

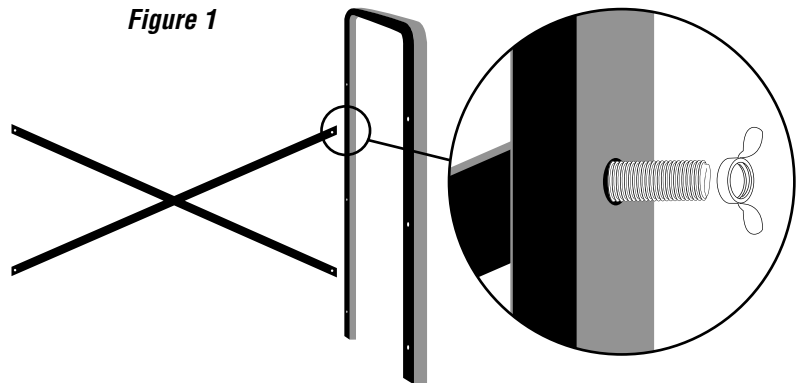
### Parts included:



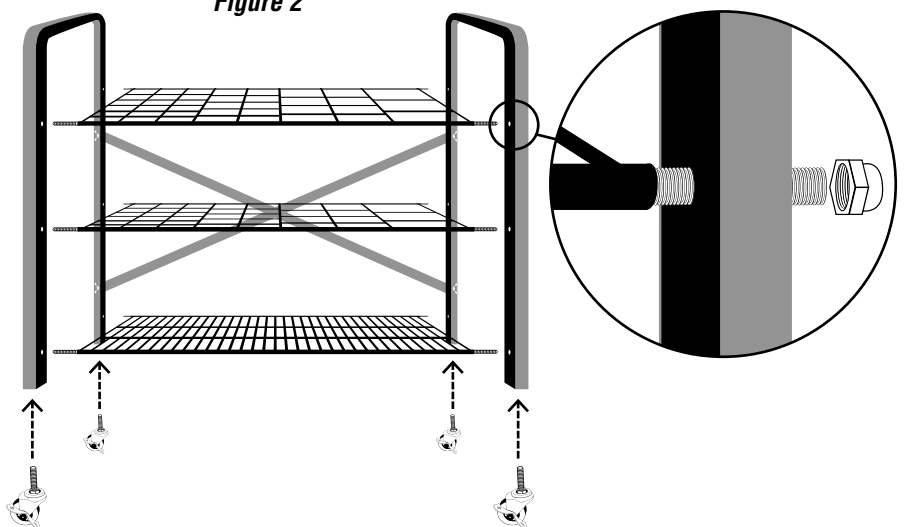
**To assemble:** Unpack and inspect contents to confirm you have all parts listed above.

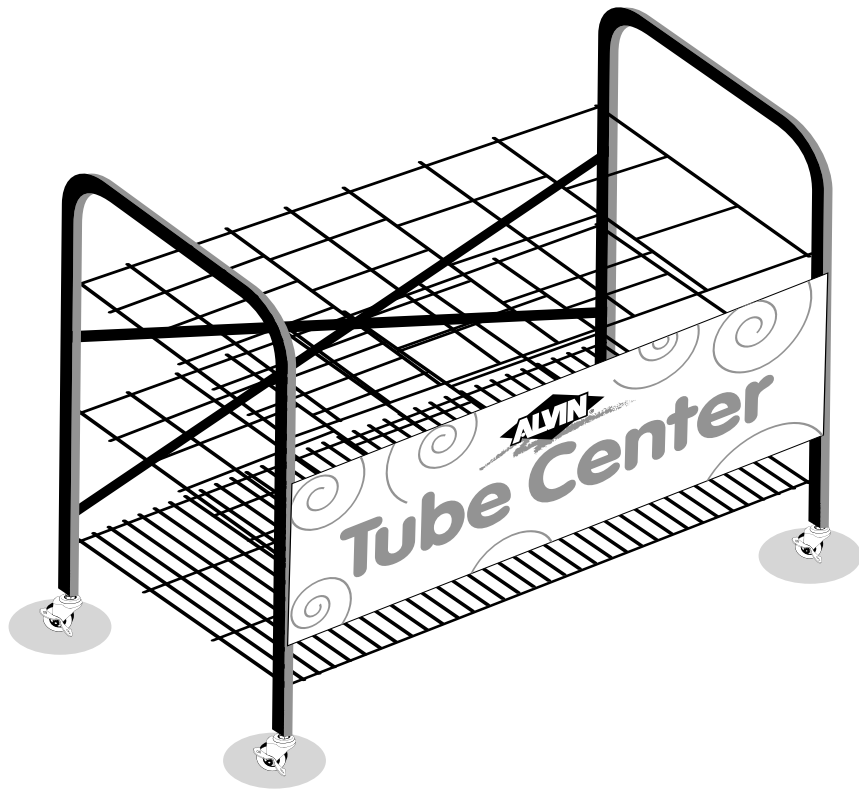
- 1** Unpack and inspect contents to confirm you have all parts listed above.
- 2** Connect back cross brace to right side frame using two screws and two wing nuts, as shown in **Figure 1**. Wing nuts should be on the inside of the frame.
- 3** Set assembly down with cross brace on floor.
- 4** Connect top, middle, and bottom grid panels to right side frame using six capped nuts.
- 5** Connect left side frame to grid panels using six capped nuts.
- 6** Screw four casters into bottom tubes of side frames. Turn assembly upright.
- 7** Connect back crossbar to left side frame using two screws and two wing nuts.
- 8** Attach display sign to front of assembly using four snap buttons. You may choose to utilize double-side tape to help secure the display sign in position.

**Figure 1**



**Figure 2**





**PMT100D**



**PMT200D**