

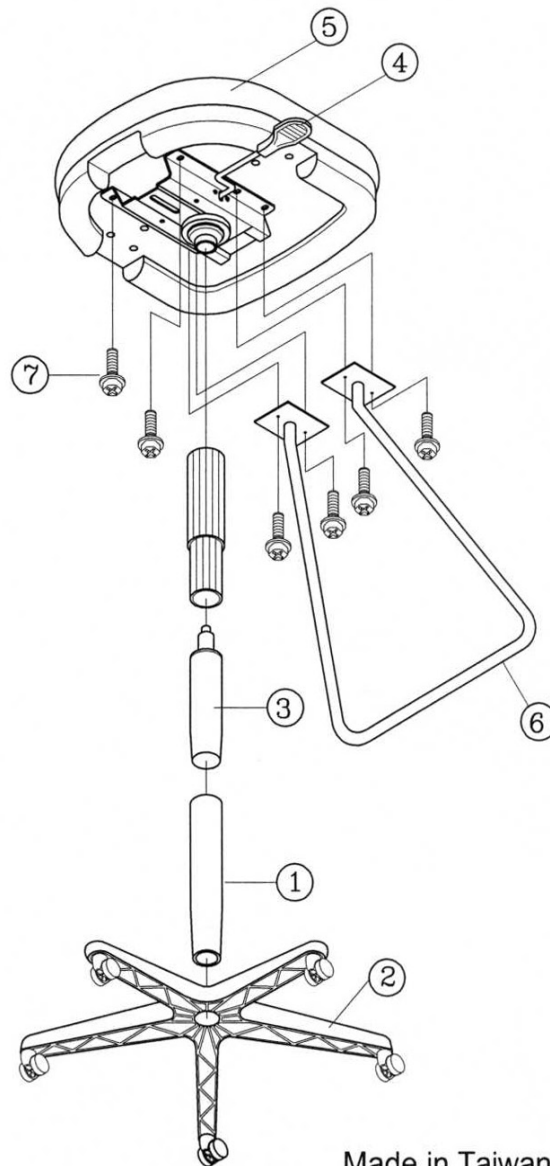
PART LIST

KEY QTY DESCRIPTION

KEY	QTY	DESCRIPTION
1	1	Extension Tube
2	1	Chair Base (Supplied with chair)
3	1	Gas Cylinder (Supplied with chair)
4	1	Seat Plate (Supplied with chair)
5	1	Seat Cushion (Supplied with chair)
6	1	Teardrop Footrest
7	4	Seat Plate Screws

PREVENTIVE MAINTENANCE AND WARNING!

- USE THIS PRODUCT ONLY FOR SEATING ONE PERSON AT A TIME.
- DO NOT USE THIS CHAIR AS A STEP STOOL / LADDER.
- DO NOT SIT ON ANY PART OF THE CHAIR EXCEPT THE SEAT.
- DO NOT USE CHAIR ON UNEVEN FLOOR SURFACES.
- DO NOT USE CHAIR UNLESS ALL BOLTS , SCREWS AND KNOBS ARE TIGHT . AT LEAST EVERY SIX MONTHS , CHECK ALL BOLTS , SCREWS AND KNOBS TO BE SURE THEY ARE TIGHT.
- IF ANY PARTS ARE MISSING , BROKEN , DAMAGED OR WORN , STOP USE OF THE PRODUCT UNTIL REPAIRS ARE MADE USING FACTORY AUTHORIZED PARTS.
- DISPOSE OF PACKAGING PROPERLY . PLASTIC BAG IS NOT A TOY . DO NOT USE PLASTIC BAG AS HEAD COVERING - IT MAY CAUSE SUFFOCATION.
- FAILURE TO FOLLOW THESE WARNINGS COULD RESULT IN SERIOUS INJURY.



Made in Taiwan

ASSEMBLY INSTRUCTIONS

1. Insert narrow end of Extension Tube (1) into center of Chair Base (2) until it is firmly seated
2. Insert Gas Cylinder (3) into wide end of Extension Tube until it is firmly seated
3. Attach Seat Plate (4) to bottom of Seat Cushion (5) as per chair assembly instructions but using 2 back screws only for time being
4. Attach Teardrop Footrest (6) to Seat Plate .and bottom of Seat Cushion (5) using 4 front Seat Plate Screws (7). Tighten all screws very securely.
5. Finish assembling chair according to chair instructions

CAUTION - The Footrest is intended as a footrest only. It is not designed to be stood upon



Alvin & Company, Inc. Bloomfield, Ct Grand Prairie, TX

www.alvinco.com