

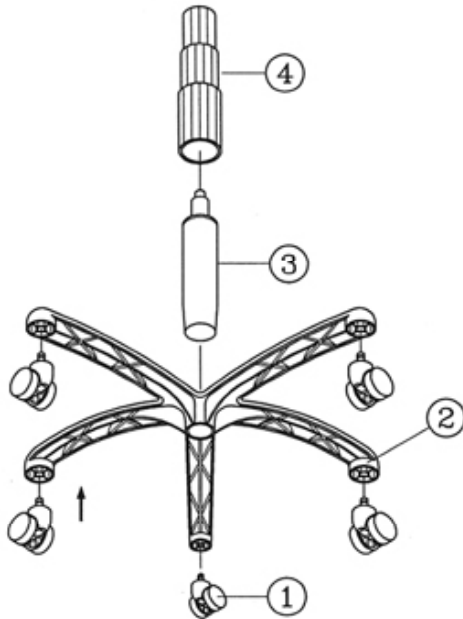


# Assembly Instructions for Chair No. CH300

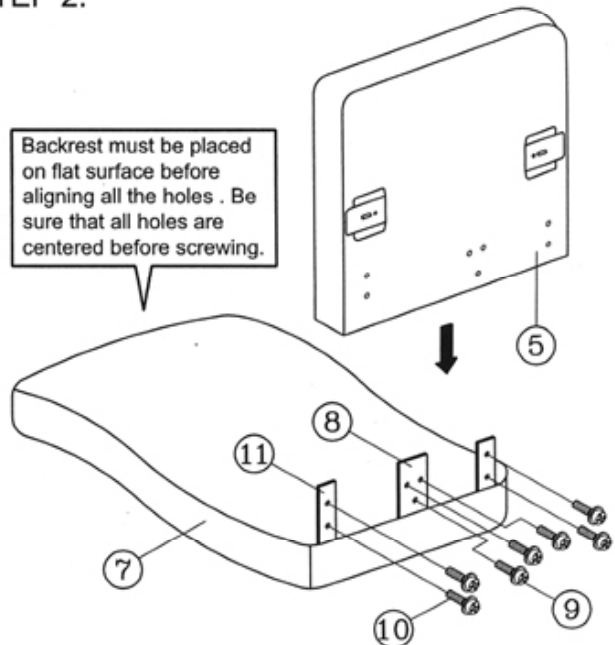
## PART LIST

KEY QTY	DESCRIPTION	KEY QTY	DESCRIPTION	KEY QTY	DESCRIPTION	
1	5	Caster	7	1	Backrest	
2	1	Base	8	1	Metal Bracket	
3	1	Seat Post	9	3	Metal Bracket Screw (8*75mm)	
4	1	Seat Post Cover	10	4	Seat & Backrest Bracket Screw (8*75mm)	
5	1	Seat	11	2	Seat & Backrest Bracket	
6	1	Mechanism	12	2	Arm Bracket	
				13	2	Armrest
				14	2	Arm Width Adjustment Knob + Washers
				15	4	Mechanism Screw

### STEP 1.



### STEP 2.



### STEP 3.

