

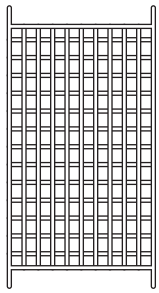


Mobile File Cart Assembly Instructions

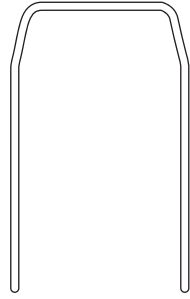
For model WTF35

Tools Required: Screwdriver, pliers, or small wrench.

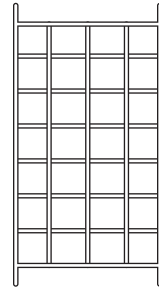
Parts Included:



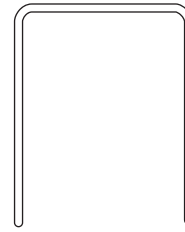
A 1pc Grid
(Small Openings)



B 1pc Large Frame



C 2pcs Grid
(Large Openings)



D 1pc Small Frame



E 4pcs Covered Casters
with Lock Nuts



F 2pcs Side Braces
(Left and Right)



G 1pc Dust Protector
Bottom Cover (*Optional*)



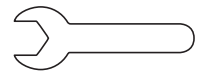
H 12pcs Nuts



J 4pcs Screws



K 12pcs Washers



L 1pc Wrench

To Assemble:

- 1** Attach grid (small openings) (**A**) to bottom of large frame (**B**) using nuts (**H**) and washers (**K**) as in **Figure 1**.
- 2** Attach two grids (large openings) (**C**) to large frame with nuts.
- 3** Secure small frame (**D**) in the same manner.
- 4** Attach left and right side braces (**F**) at opposite angles for support using screws (**J**).
- 5** Twist casters (**E**) into place as in **Figure 2**.
- 6** Optional white dust protector (**G**) may be placed on the bottom tray, if desired. To hold dust protector in secure position, use transparent tape at each corner.

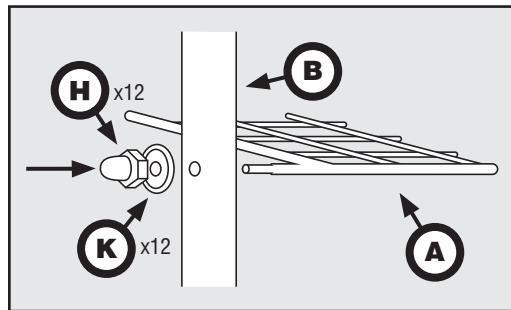


Figure 1

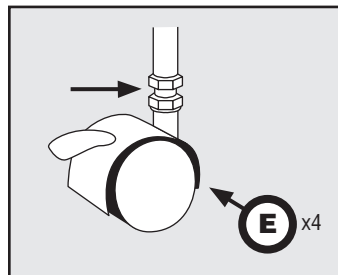
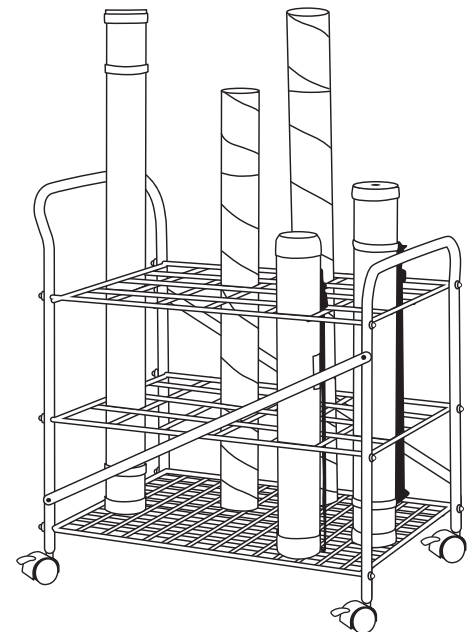


Figure 2



Assembled Rack