
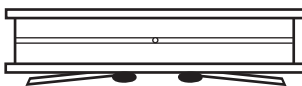
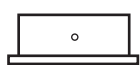


## Aluminum Easel Assembly Instructions (page 1)

**Carton Contains:**  
**[A] Easel, [B] Adjustment Knobs, [C] Lower Canvas Support (large)**  
**and [D] Upper Canvas Support (small)**

<p>Part A [1] Easel</p>	 <p>Part B [2] Adjustment Knobs with T-Bolts attached</p>	 <p>Part C [1] Lower Canvas Tray with Palette Holders</p>	 <p>Part D [1] Upper Canvas Support</p>
-----------------------------	--	---	--

### Step 1.

Empty contents of carton. Remove all plastic packaging.

### Step 2.

Make sure all parts are included.  
 Call 1-313-895-0700 if any parts are missing.  
 See Parts List above.

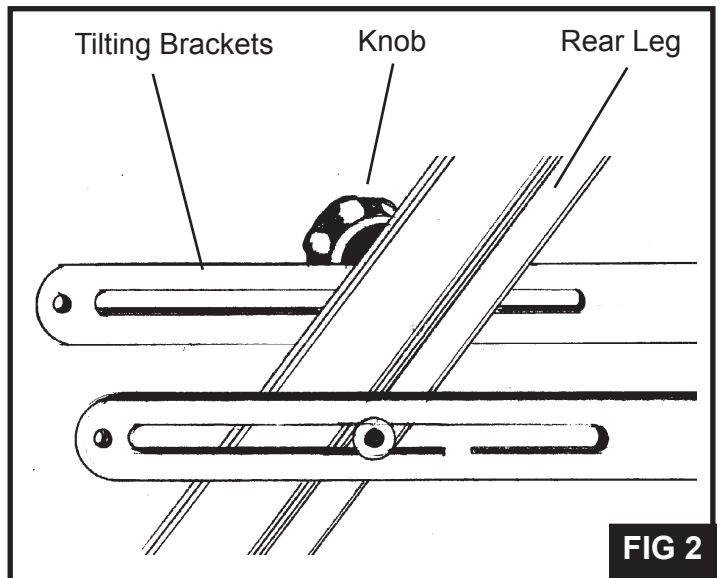
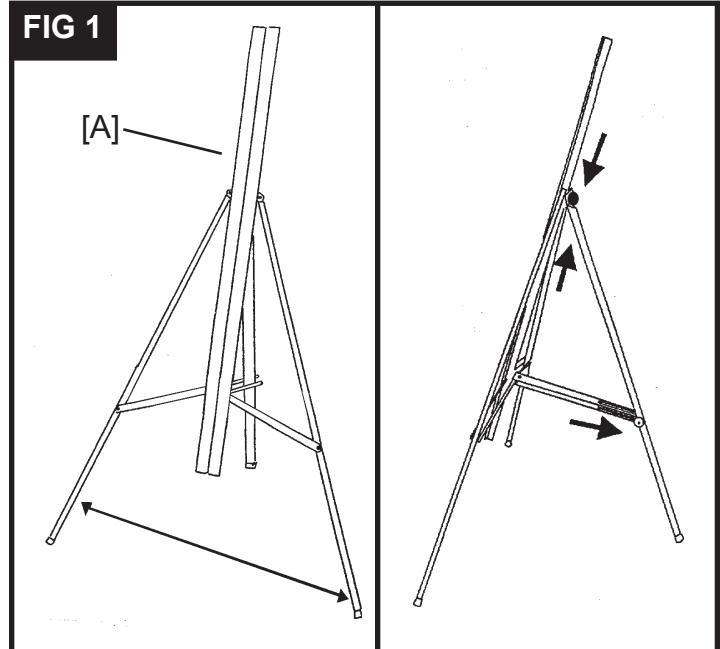
### Step 3.

Take Easel [A] and pull out (spread) the side legs. Loosen knob on rear tilting leg and tilt rear leg so that tilting brackets reach knob on lower portion of rear leg. See FIG 1.

### Step 4.

Position tilting brackets over bolt going through lower part of leg. See FIG 2. Tighten knob at desired angle.

Go to page 2 for additional instructions.



If you have any questions or difficulties assembling this easel.  
 Please call our Customer Service Hotline at: (313)895-0700

## Aluminum Easel Assembly Instructions (page 2)

### Step 5.

Before attaching the lower canvas support [C] to the easel begin by taking [1] Knob [B] and remove T-bolt by un-screwing from Knob. See FIG 3.

### Step 6.

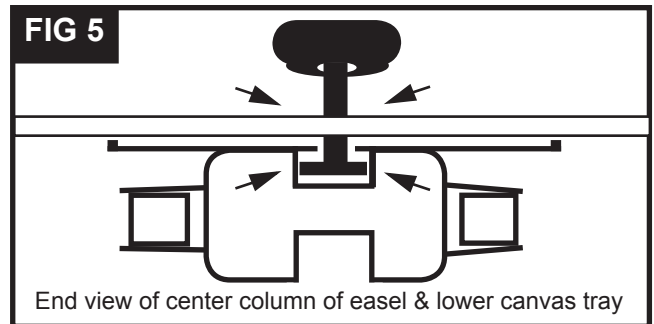
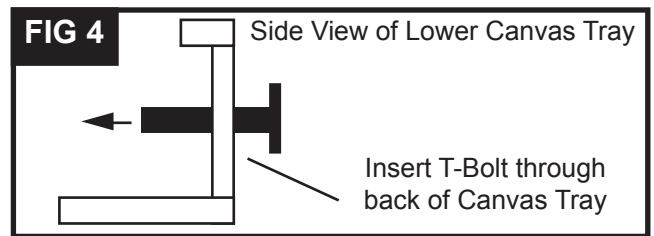
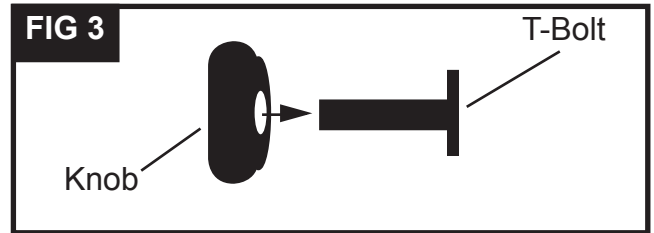
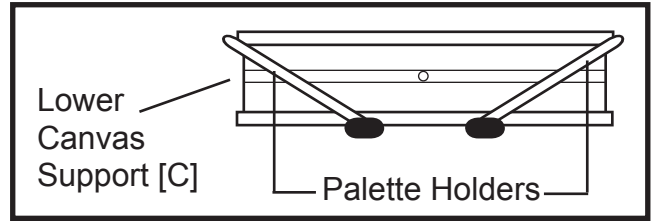
Insert T-Bolt through hole from the back of canvas tray. See FIG 4. Continue by sliding flat end of T-Bolt up into groove of center column. Complete by attaching knob [B] to T-bolt on front of lower canvas tray. See FIG 5.

REPEAT with Upper Canvas Support, only this time sliding T-bolt through top end of easel, similar to FIG 5.

**NOTE:** When needing to adjust the position of the upper canvas support or lower canvas tray, loosen the knobs and move them to the desired position. Re-tighten to secure.

### Step 7.

**Double check all nuts and knobs making sure all are tightened.** Your easel is now ready to use. See FIG 6.



If you have any questions or difficulties assembling this easel. Please call our Customer Service Hotline at: (313)895-0700

